



Parts Manual

Onan Generator Set for RV

HDKCA (Spec A-E)

HDKCB (Spec A-E)

Introduction

This parts catalog applies to the standard generator sets listed below. Parts are arranged in groups of related items and each illustrated part is defined by a reference number corresponding to the same reference number in the parts list. Parts illustrations are typical. Using the model and specification number from your generator set nameplate, select parts that apply to your set. Right and left sides are determined by facing the engine end (front) of the set.

Generator Set Data Table

Model Identification	Rating	Wiring Diagram AC/DC	Voltage	Hertz	Phase
10.0HDKCA11506A*	10,000 Watts	630-2676	120/240	60	1
10.0HDKCA11506B/C*	10,000 Watts	630-2854	120/240	60	1
10.0HDKCA11608A*	10,000 Watts	630-2676	120/240	60	1
10.0HDKCA11608B/C*	10,000 Watts	630-2854	120/240	60	1
12.5HDKCB11506A*	12,500 Watts	630-2676	120/240	60	1
12.5HDKCB11506B/C*	12,500 Watts	630-2854	120/240	60	1

* – The specification number denotes customer requested options or deviations from a standard (1A, 1B, etc.) model. The specification letter advances (A, to B, to C, etc.) with major manufacturing changes.

THIS PAGE IS INTENDED TO BE BLANK

Index

A

Adapter, Generator, **55**
Adapter, Oil Filter, **25 , 26**
Adapter, Oil Filter (Nut), **25**
Adapter, Tube, **25**
Alternator, **43**
Apparatus, Idling, **19**
Arm, Rocker, **14**
Assy Bearing, Main Case, **10**
Assy Bolt, Adjustment, **16**
Assy Head, Cylinder, **9**
Assy lever, Fork, **15 , 17**
Assy Plate, Control, **16**
Assy Pump, Oil, **22**
Assy, Drip Pan, **50**
Assy, Bearing Case Wheel, **10**
Assy, Camshaft Fuel, **33**
Assy, Connector Rod, **11**
Assy, Coupling, **43**
Assy, Door, **51**
Assy, Frame, **50**
Assy, Overflow Pipe, **28 , 29**
Assy, Solenoid, **18**

B

Backplate, Fan, **37**
Baffle, Air, **37**
Ball, **11 , 20 , 33**
Ball, Camshaft, **12**
Base, Oil, **27**
Base, Remote Filter, **25**
Bearing, **39**
Bearing, Ball, **33**
Bearing, Rotor, **55**
Belt, Drive, **44**
Belt, Drive, Water Pump, **43**
Block, AC Terminal, **58**
Block, Battery Harness Terminal, **58**
Block, Cylinder, **8**
Block, Generator Brush, **55**

Body, Water Pump, **39**
Bolt, **10 , 12**
Bolt, Adjustment, **16**
Bolt, Bearing Case, **10**
Bolt, Connector Rod, **11**
Bracket, Alternator, **43**
Bracket, Control, **56**
Bracket, Engine, **24**
Bracket, Engine (Back Assy), **50**
Bracket, Fill Tube, **38**
Bracket, Fuel Filter, **34**
Bracket, Oil Drain, **26**
Bracket, Rocker Arm, **14**
Bracket, Tensioner, **43**
Breaker, Circuit, **52**
Brush, Generator, **55**
Bush, Crankshaft, **11**
Bush, idle Gear, **12**
Bush, Piston Pin, **11**
Bushing, Tensioner, **43**

C

Camshaft, **12**
Camshaft, Fuel, **33**
Camshaft, Fuel , **33**
Cap, Cylinder Head Sealing, **9**
Cap, Fill, **38**
Cap, Oil Fill, **24**
Cap, Push-On, **38**
Cap, Seal, **20**
Cap, Sealing, **8**
Cap, Valve, **14**
Case, Governor Ball, **33**
Case, Main Bearing , **10**
Circle Clip, **33**
Circle Clip, External, **33**
Circle Clip, Governor Sleeve, **33**
Circle, Clip, **12**
Circular, Clip, Internal, **11**
Clamp, Air Intake Hose, **36**

Index

Clamp, Coolant Hose, **38**
Clamp, Fuel System Hose, **34**
Clamp, Hose, **13 , 40 , 41**
Clamp, Pipe, **28 , 29**
Cleaner, Air, **36**
Clip, Pipe, **28 , 29 , 30**
Collar, **12 , 33**
Collar, Camshaft, **11**
Collar, Valve Seat, **20**
Collet, Valve Spring, **14**
Comp Guide, Solenoid, **18**
Comp. Crankcase, **8**
Comp, Crankshaft, **11**
Comp, Flange Water, **40 , 41**
Comp, Gear Idle, **12**
Comp, Valve Breather, **13**
Components, Injection Nozzle, **32**
Components, Injection Pump, **30 , 31**
Connector, Fuel Hose, **34**
Connector, Male, **25**
Control, **56**
Control, Idle, **19**
Control, Speed, **17**
Cord, Glow Plug, **28 , 29**
Cover, Bearing Case, **10**
Cover, Breather, **13**
Cover, Brush Block, **51**
Cover, Control, **56**
Cover, Cylinder Head, **13**
Cover, Fuel Camshaft, **33**
Cover, Fuel Pump, **50**
Cover, Housing AC, **52**
Cover, Injector Pump, **30**
Cover, Thermostat, **40 , 41**
Crankpin, Metal, **11**
Crankshaft, **11**
Crankshaft, Nut, **11**

D

Dipstick, Oil , **23**

Disc, Generator Drive, **55**
Duct, Air, **37**

E

Edging, Stator Housing, **55**
Elbow, 90, **34**
Elbow, Tube, **25**
End, Cap Skid, **50**
Engine, Replacement, **8**
Exhaust System, **46 , 47 , 48**

F

Fan, Generator, **55**
Fan, Sucker, **37**
Fill, Remote Oil, **26**
Filter, Fuel, **34**
Filter, Oil, **25 , 26**
Filter, oil, **27**
Filter, Remote Oil, **25**
Fitting, Bulkhead, **34**
Flange, w/ Pump Shaft, **39**
Flange, Water, **40 , 41**
Flange, Water Return, **20**
Flywheel, **21**
Frame, Door, **51**

G

Gasket, **8 , 16 , 27 , 28 , 29 , 30 , 31 , 32 , 33**
Gasket, Bearing Case, **10**
Gasket, Case Cover, **10**
Gasket, Cylinder Head, **9**
Gasket, Cylinder Head Cover, **13**
Gasket, Exhaust Manifold, **45 , 46 , 47 , 48**
Gasket, Gear Case, **20**
Gasket, Hourmeter Unit, **20**
Gasket, Oil Fill, **24**
Gasket, Oil Filter, **25**
Gasket, Oil Pan, **27**

Index

Gasket, Oil Pump, **22**
Gasket, Plate, **19**
Gasket, Pump Cover, **30 , 31**
Gasket, Return Flange, **20**
Gasket, Thermostat, **40 , 41**
Gasket, Water Flange, **40 , 41**
Gasket, Water Pump, **39**
Gauge, Oil, **23**
Gauge, Oil Pressure (Remote Panel), **62**
Gauge, Water Temperature (Remote Panel), **62**
Gear, Cam, **12**
Gear, Crankshaft, **11**
Gear, Idle, **12**
Gear, Injection Pump, **33**
Gear, Oil Pump Drive, **22**
Gearcase, **20**
Generator, **55**
Governor, **15**
Grommet, **50**
Grommet, Engine Harness, **57**
Guard, Fan, **55**
Guide, Exhaust Valve, **9**
Guide, Inlet Valve, **9**
Guide, Oil Gauge, **23**

H

Hardware, Meter Mounting, **61 , 62**
Harness, AC, **58**
Harness, Adapter, **63**
Harness, Battery , **58**
Harness, Engine, **57**
Harness, Remote, **63**
Harness, Remote Panel, **63**
Harness, Remote Panel (Gauges), **62**
Harness, Remote Panel (Switch/Hourmeter), **60**
Harness, Remote Panel (Switch/Voltmeter), **61**
Harness, Remote Panel (W/Switch), **59**
Harnesses, Remote, **63**
Head, Cylinder, **9**
Head, Oil Filter, **26**

Holder, Fork Lever, **15 , 17**
Holder, Nozzle, **28 , 29 , 32**
Hook, Engine, **9**
Hose, Air Bleeder, **38**
Hose, Coolant, **38**
Hose, Fill, **38**
Hose, Fuel, **34**
Hose, Intake, **36**
Hose, Oil, **26**
Hose, Overflow, **38**
Hose, Remote Oil Fill, **25**
Hourmeter (Remote Gauge Panel), **62**
Hourmeter (Remote Switch Panel), **60**
Housing, **51**
Housing End Cap, **52**
Housing, Flywheel, **21**
Hub, Bearing Pulley, **43**
Hub, Bearing Tensioner, **43**

I

Impeller, Water Pump, **39**
Insulation, Baffle, **37**
Insulation, Cover, **51**
Insulation, Duct, **37**
Insulation, Outlet, **37 , 50**
Insulation, Outlet (Duct), **37**
Insulation, Panel, **51**
Isolator, Vibration, **50**

J

Joint, Eye, **30 , 31**
Joint, Pipe, **20**

K

Key, Feather, **11 , 12 , 22 , 33**
Kit, Remote Control Panel (W/Switch), **59**
Kit, Remote Panel (Gauges), **62**
Kit, Remote Panel (Switch/Hourmeter), **60**

Index

Kit, Remote Panel (Switch/Voltmeter), **61**

L

Labels, **64**

Lever, Fork, **15 , 17**

Line, Fuel, **34**

M

Manifold Inlet, **35**

Manifold, Exhaust, **35 , 45**

Manifold, Exhaust , **45**

Metal, Crankshaft, **10 , 11**

Metal, Side, **11 , 11**

Meter, Hour Housing, **52**

Meter, Voltage (Remote Panel), **61**

Mounting, Fan, **37**

Mounting, Radiator, **50**

Muffler, **46 , 47 , 48**

N

Neck, Coolant Fill, **38**

Nipple, Pipe, **25**

O

O'Ring, **11 , 13 , 20 , 27**

O'Ring, Radiator Plug, **38**

P

Pan, Oil, **27**

Panel Assy, Housing Top, **51**

Panel, Access, **51**

Panel, Enclosure, **51**

Panel, Enclosure (Top), **51**

Panel, End Cap, **51**

Panel, Printed, **61**

Panel, Remote (W/Switch), **59**

Panel, Remote Gauge, **62**

Panel, Remote Switch/Hourmeter, **60**

Panel, Remote Switch/Voltmeter, **61**

Panel, w /Decal, **62**

PCB (Control), **56**

Piece, Distance, **32**

Piece, Nozzle, **28 , 29 , 32**

Pin, Dowel, **21**

Pin, Pipe, **8**

Pin, Piston, **11**

Pin, Spring, **14**

Pin, Straight, **8 , 20**

Pipe, Flex Exhaust, **46 , 47 , 48**

Pipe, Fuel, **30 , 31**

Pipe, Injection, **28 , 29**

Pipe, Water Return, **13 , 35 , 40 , 41**

Piston, **11**

Plate, Bulkhead, **37**

Plate, Lifting, **26**

Plate, Speed Control, **16**

Plate, Transformer, **36**

Plug, **8 , 8 , 9 , 20**

Plug, Expansion, **8**

Plug, Glow, **28 , 29**

Plug, Hole, **50**

Plug, Oil Filler, **13**

Plug, Oil Gauge, **23**

Plug, Pipe, **34**

Pug, Glow, **28**

Pulley, Fan, **39**

Pulley, Fan Drive, **42**

Pulley, Tensioner, **43**

Pulley, Water Pump, **43**

Pump, Fuel, **34**

Pump, Oil, **22**

Pump, Water, **39**

Pump, Water , **39**

Push, Rod, **32**

R

Radiator, **38**

Relay, **57**

Index

Resonator, Intake, **35** , **36**
Retainer, Valve Spacer, **14**
Rod, Push, **12**
Rotor, Generator, **55**

S

Seal, Heat, **29** , **32**
Seal, Oil, **10** , **11**
Seal, Pan, **50**
Seal, Radiator, **38** , **50**
Seal, Shaft, **39**
Seal, Valve Stem, **14**
Seat, Valve, **20**
Set, Piston Ring, **11**
Shaft, Idle Gear, **12**
Shaft, Lever, **15** , **17**
Shaft, Rocker Arm, **14**
Shield, Breather, **13**
Shim, Injector Pump, **30** , **31**
Sleeve, Governor, **33**
Slinger, Oil, **11**
Solenoid, Stop, **18**
Spacer, Fan, **37**
Spacer, Generator Fan, **55**
Spring, **20**
Spring, Generator Brush, **55**
Spring, Governor, **15**
Spring, Rocker Arm, **14**
Spring, Tensioner, **43**
Spring, Valve, **14**
Starter, **21**

Stator, Generator, **55**
Stopper, Camshaft, **12**
Stopper, Fuel Camshaft, **33**
Strap, Electrical, **49**
Switch, Housing Rocker, **52**
Switch, Oil Pressure, **8**
Switch, Remote Control Panel Rocker, **59**
Switch, Start/Stop (Remote Gauge Panel), **62**
Switch, Start/Stop (Remote Hourmeter Panel), **60**

Switch, Start/Stop (Remote Voltmeter Panel), **61**
System, Air Intake, **36**
System, Cooling, **38**
System, Fuel, **34**
System, Ground, **49**
System, Mounting, **50**
System, Pulley , **42** , **43**

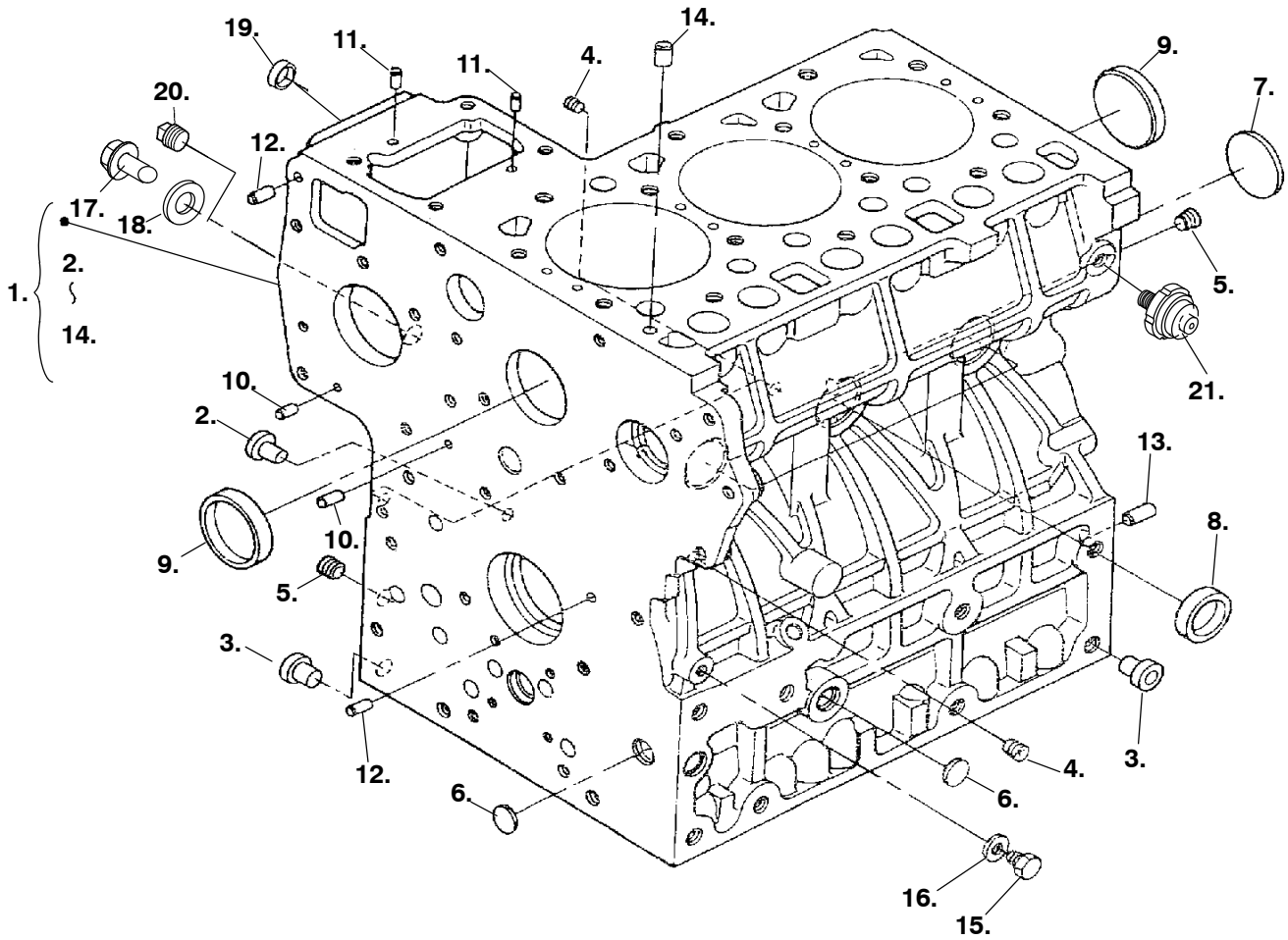
T

Tank, Recovery Kit, **38**
Tappet, **12**
Thermostat, **40** , **41**
Thermostat Assy, **40** , **41**
Transformer, Current, **36**
Tube, Breather, **13**
Tube, Oil Fill, **24**

V

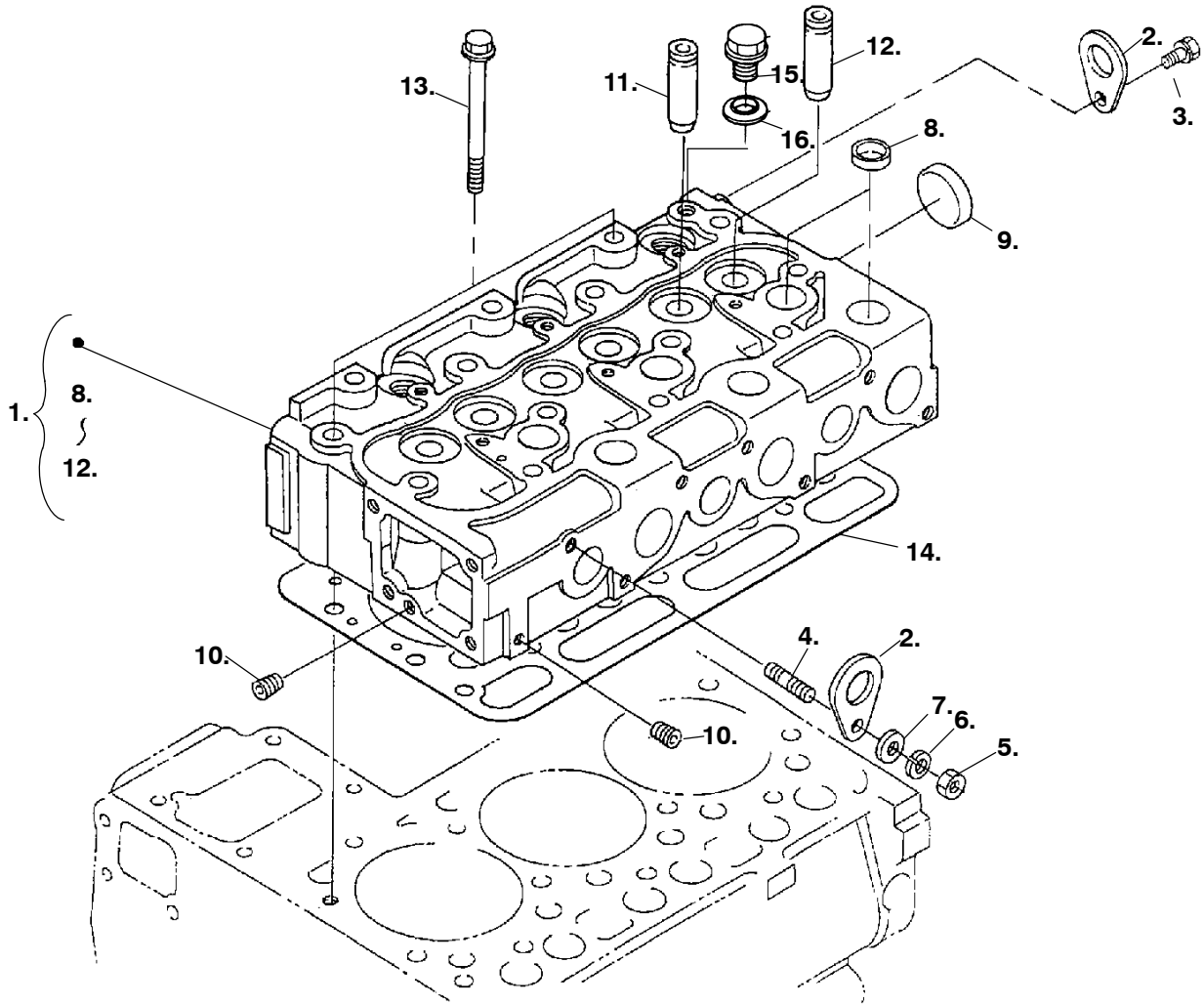
Valve, Exhaust, **14**
Valve, Inlet, **14**
Vane, Air, **50**

Cylinder Block



REF NO.	PART NO.	QTY USED	PART DESCRIPTION	REF NO.	PART NO.	QTY USED	PART DESCRIPTION
			Engine, Replacement	10.	185-5842	2	Pin, Straight
	100-3909	1	Spec A-B	11.	185-2350	3	Pin, Straight
	100-4113	1	Begin Spec C	12.	185-5843	2	Pin, Straight
1.			Comp. Crankcase	13.	185-5844	1	Pin, Straight
	100-3951	1	Spec A-B	14.	185-2094	1	Pin, Pipe
	101-0874	1	Begin Spec C	15.	517-0373	1	Plug
2.	185-6039	1	Plug (Spec A-B)	16.	185-2338	1	Gasket
3.	185-5837	2	Plug (Spec A-B)	17.	184-0023	1	Plug (Spec A-B)
4.	185-2233	5	Plug	18.	509-0417	1	Gasket (Spec A-B)
5.	185-2234	2	Plug	19.	185-5483	1	Cap, Sealing
6.	185-6121	3	Plug, Expansion	20.	505-2519	1	Plug (Spec C)
7.	185-6040	1	Plug, Expansion	21.	185-5492	1	Switch, Oil Pressure
8.	185-5840	5	Cap, Sealing				
9.	185-5841	2	Cap, Sealing				

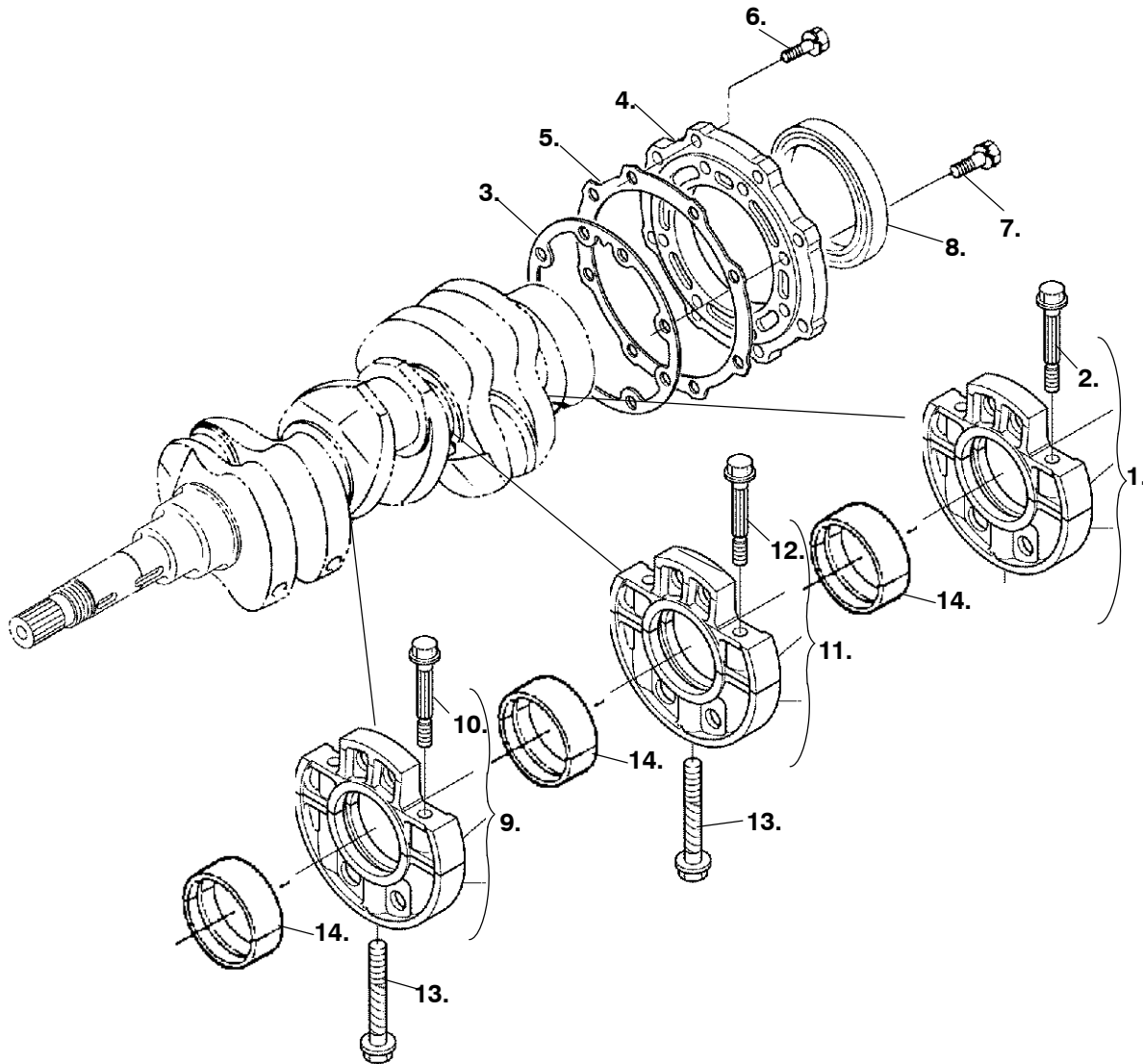
Cylinder Head



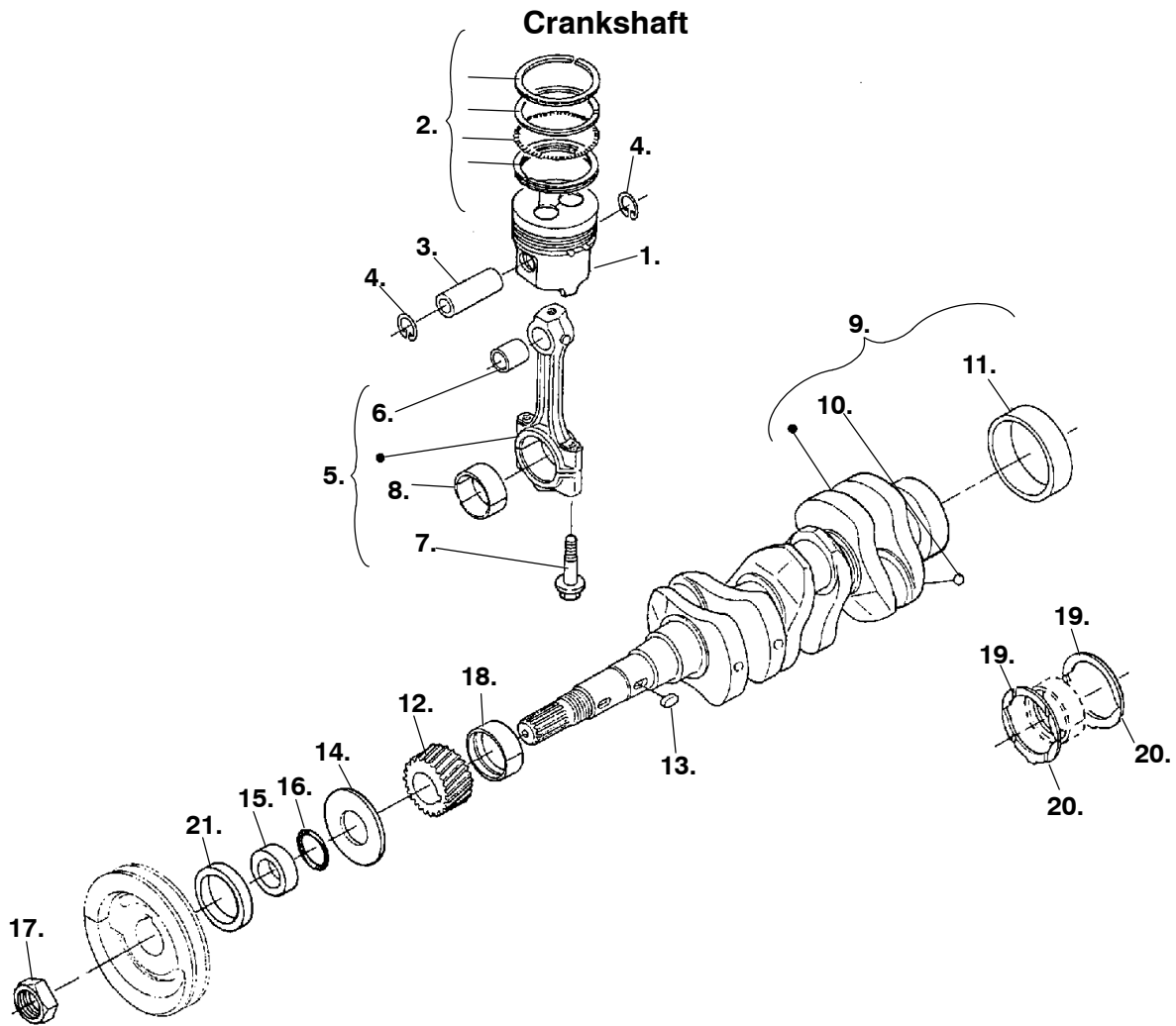
REF NO.	PART NO.	QTY USED	PART DESCRIPTION	REF NO.	PART NO.	QTY USED	PART DESCRIPTION
1.			Assy Head, Cylinder (Includes Parts Marked *)	13.	185-5865	14	Bolt, Cylinder Head
	110-3954	1	Spec A-B	14.	110-4116	1	Gasket, Cylinder Head
	110-4114	1	Begin Spec C				Spec A-B
2.	185-2414	2	Hook, Engine		110-4117	1	1.15mm
3.	185-2563	1	*Bolt		110-4116	1	1.20mm
4.	185-6048	1	Stud		110-4118	1	1.25mm
5.	185-2367	1	Nut		110-4119	1	1.30mm
6.	185-6957	1	Washer, Spring		110-4120	1	1.35mm
7.	181-9016	1	Washer, Plain	15.	185-5867	1	Plug
8.	185-5861	9	*Cap, Sealing	16.	185-5868	1	Washer, w/ Rubber
9.	185-2412	1	*Cap, Sealing				
10.	185-2188	2	*Plug				
11.	185-5862	3	*Guide, Inlet Valve				
12.	110-3987	3	*Guide, Exhaust Valve				

* - Parts Included in Cylinder Head Assy.

Main Bearing Case

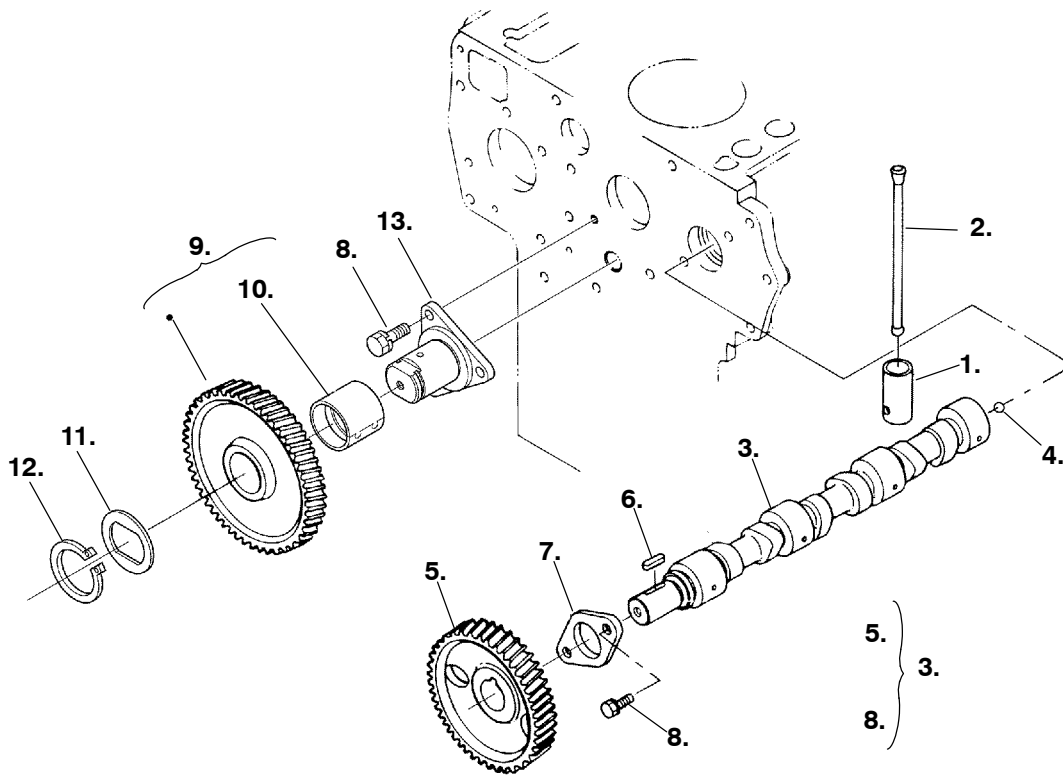


REF NO.	PART NO.	QTY USED	PART DESCRIPTION	REF NO.	PART NO.	QTY USED	PART DESCRIPTION
1.	104-2029	1	Assy, Bearing Case Wheel	9.	104-2031	1	Assy Bearing, Main Case
2.	800-6329	2	Bolt, Bearing Case	10.	800-6329	2	Bolt, Bearing Case
3.	185-6766	1	Gasket, Bearing Case	11.	104-2032	1	Assy Bearing, Main Case
4.			Cover, Bearing Case	12.	800-6329	2	Bolt, Bearing Case
	101-0836	1	Spec A-B	13.	185-5899	2	Bolt, Bearing Case
	232-4229	1	Begin Spec C	14.			Metal, Crankshaft
5.	185-5893	1	Gasket, Case Cover		104-2035	3	Standard
6.	185-2403	8	Bolt		104-2039	3	0.20 Oversized
7.	185-2404	8	Bolt		104-2040	3	0.40 Oversized
8.	509-0416	1	Seal, Oil				



REF NO.	PART NO.	QTY USED	PART DESCRIPTION	REF NO.	PART NO.	QTY USED	PART DESCRIPTION
1.			Piston	10.	185-5924	3	Ball
	112-0298	3	Spec A-B Standard	11.	185-5925	1	Bush, Crankshaft
	112-0299	3	0.25 Oversize)	12.	507-0006	1	Gear, Crankshaft
			Begin Spec C	13.	515-0320	1	Key, Feather
	112-0340	3	Standard	14.	185-6973	1	Slinger, Oil
	112-0341	3	0.25 Oversize)	15.	185-5928	1	Collar, Camshaft
2.			Ring Set, Piston	16.	185-5929	1	O'Ring
	541-1168	3	Standard	17.	185-5930	1	Crankshaft, Nut
	541-1169	3	0.25 Oversized	18.			Metal, Crankshaft
3.			Pin, Piston		104-2033	1	Standard
	185-5915	3	Spec A-B		104-2037	1	0.20 Oversized
	112-0339	3	Begin Spec C		104-2038	1	0.40 Oversized
4.	518-0732	6	Circular, Clip, Internal	19.			Metal, Side
5.	185-5917	3	Assy, Connector Rod		104-2034	2	Standard
6.	185-5918	3	Bush, Piston Pin		104-2041	2	0.20 Oversized
7.	185-6771	6	Bolt, Connector Rod		104-2042	2	0.40 Oversized
8.			Crankpin, Metal	20.			Metal, Side
	185-6076	3	Standard		104-2036	2	Standard
	185-5921	3	0.20 Oversized		104-2043	2	0.20 Oversized
	185-5922	3	0.40 Oversized		104-2044	2	0.40 Oversized
9.			Comp, Crankshaft	21.	185-5931	1	Seal, Oil
	104-2030	1	Spec A-B				
	104-2172	1	Begin Spec C				

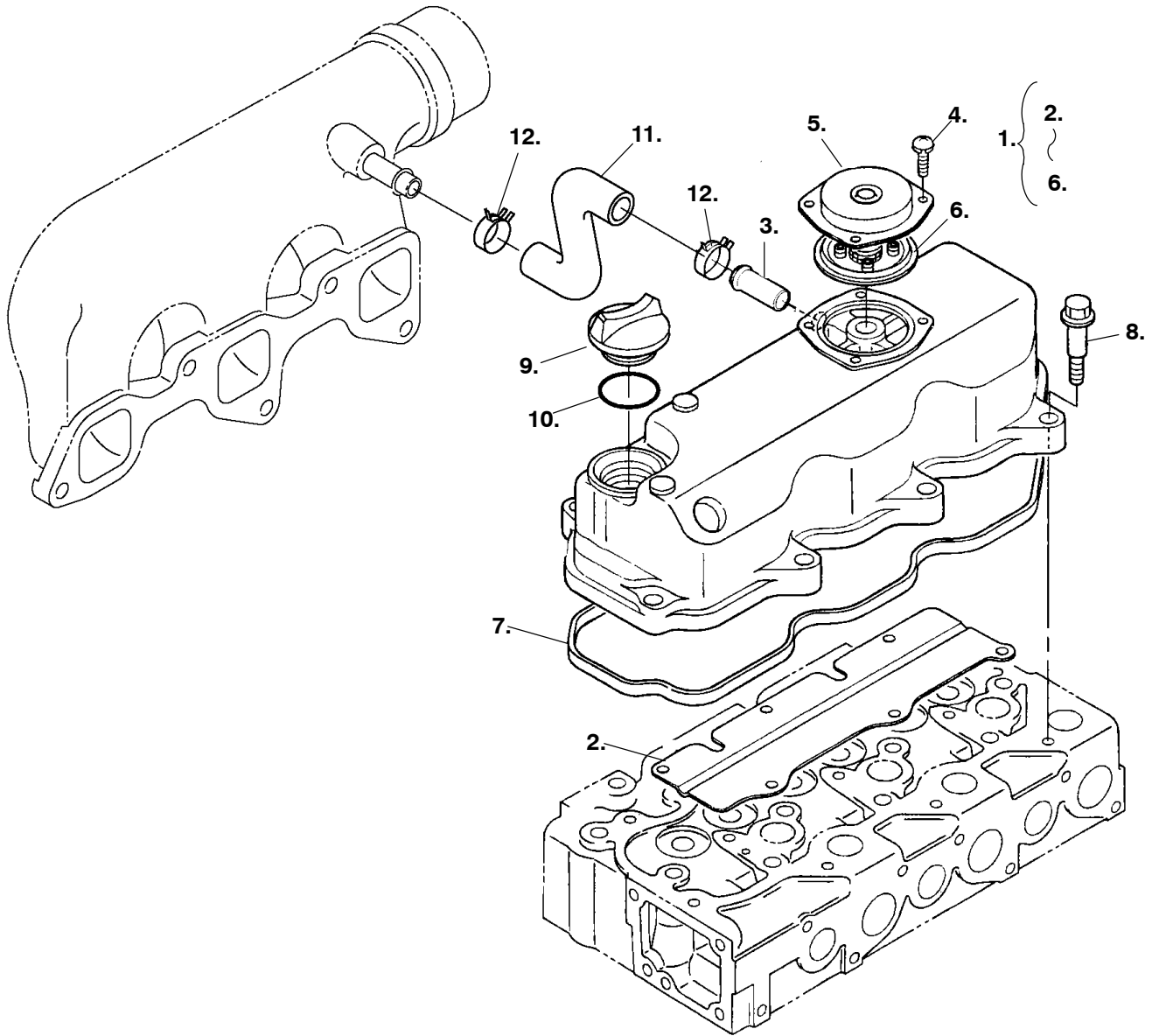
Camshaft/Idle Gear



REF NO.	PART NO.	QTY USED	PART DESCRIPTION	REF NO.	PART NO.	QTY USED	PART DESCRIPTION
1.	185-5900	6	Tappet	8.	185-2400	5	Bolt
2.	185-5901	6	Rod, Push	9.	507-0008	1	Comp, Gear Idle
3.			Camshaft	10.	508-1216	1	*Bush, idle Gear
	105-0742	1	Spec A-B	11.	406-1071	1	Collar
	105-0775	1	Begin Spec C	12.	185-6072	1	Circle, Clip
4.	185-5924	1	Bearing, Ball	13.	306-5438	1	Shaft, Idle Gear
5.	507-0007	1	Gear, Cam				
6.	185-5905	1	Key, Feather				
7.	185-5906	1	Stopper, Camshaft				

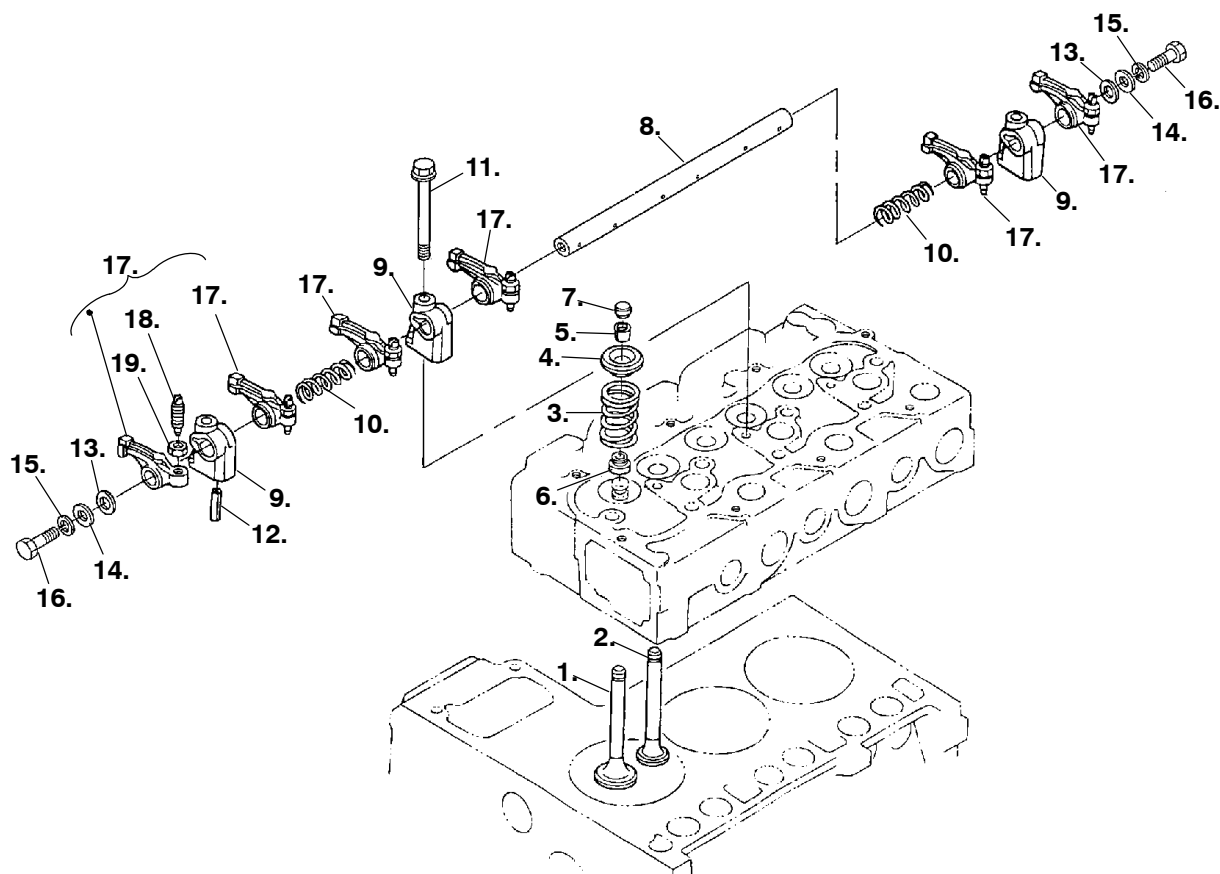
* - Parts Included in Camshaft Assy.

Cylinder Head Cover



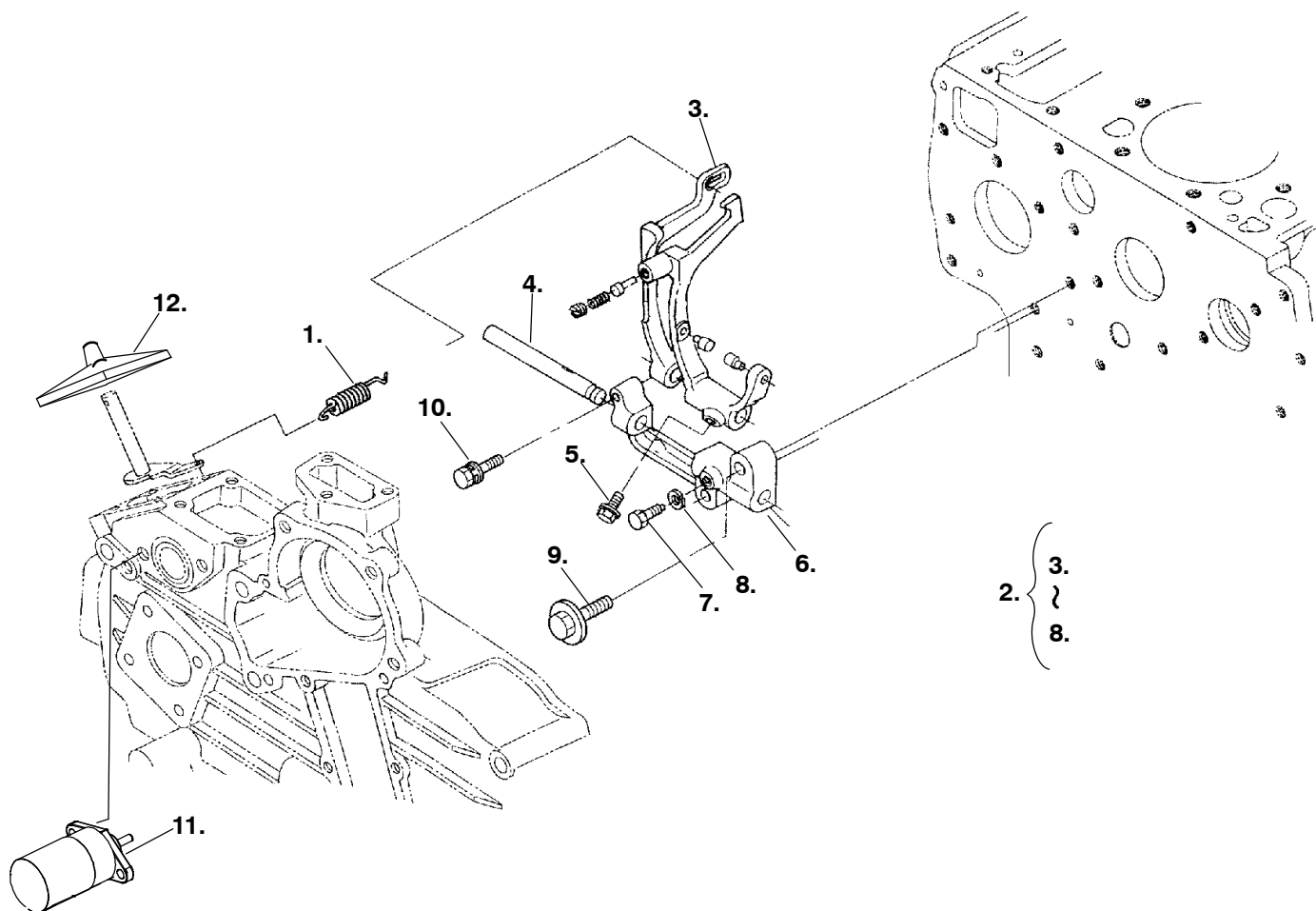
REF NO.	PART NO.	QTY USED	PART DESCRIPTION	REF NO.	PART NO.	QTY USED	PART DESCRIPTION
1.	110-3953	1	Cover, Cylinder Head (Includes Ventilator Valve and Screws)	6.	123-2264	1	Comp, Valve Breather
2.	123-2261	1	Shield, Breather	7.	110-3949	1	Gasket, Cylinder Head Cover
3.	185-6103	1	Pipe, Water Return	8.	800-6330	8	Bolt
4.	185-2384	4	Screw	9.	185-2093	1	Plug, Oil Filler
5.			Cover, Breather	10.	509-0414	1	O'Ring
	123-2263	1	Spec A-B	11.	123-2266	1	Tube, Breather
	181-9238	1	Begin Spec C	12.	503-2551	2	Clamp, Hose

Rocker Arm



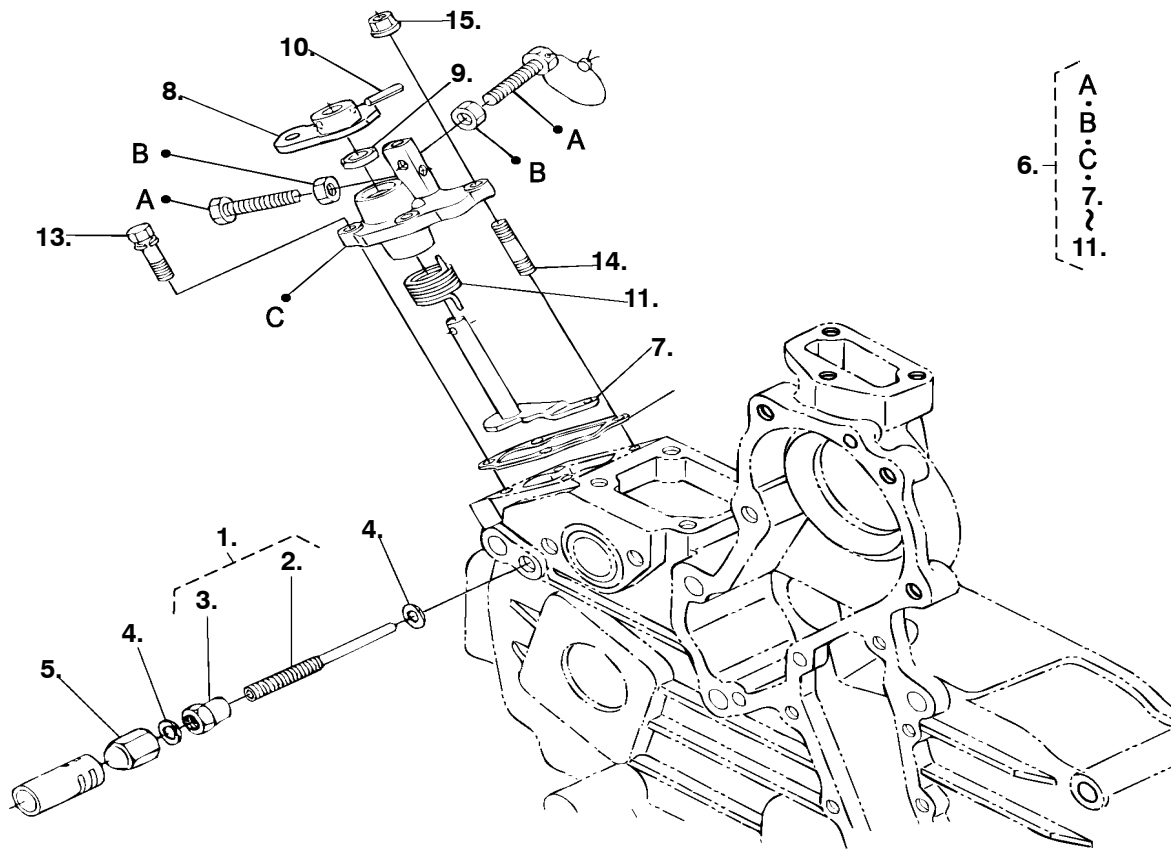
REF NO.	PART NO.	QTY USED	PART DESCRIPTION	REF NO.	PART NO.	QTY USED	PART DESCRIPTION
1.			Valve, Inlet	9.	185-6022	3	Bracket, Rocker Arm
	185-6107	3	Spec A-B	10.	185-6026	2	Spring, Rocker Arm
	110-4122	3	Begin Spec C	11.	800-6335	3	Bolt, Flange
2.			Valve, Exhaust	12.	185-6789	1	Pin, Spring
	185-6108	3	Spec A-B	13.	185-6025	5	Washer, Rocker Arm Shaft
	110-4123	3	Begin Spec C	14.	185-7221	2	Washer, Plain
3.	185-6016	6	Spring, Valve	15.	185-6957	2	Washer, Spring
4.	185-6017	6	Retainer, Valve Spacer	16.	800-6327	2	Bolt
5.	110-3948	6	Collet, Valve Spring	17.	185-6028	6	Arm, Rocker
6.	185-6018	6	Seal, Valve Stem	18.	185-6029	6	Screw, Adjusting
7.	185-6019	6	Cap, Valve	19.	185-6030	6	Nut
8.	115-0509	1	Shaft, Rocker Arm				

Governor (Spec A-B)



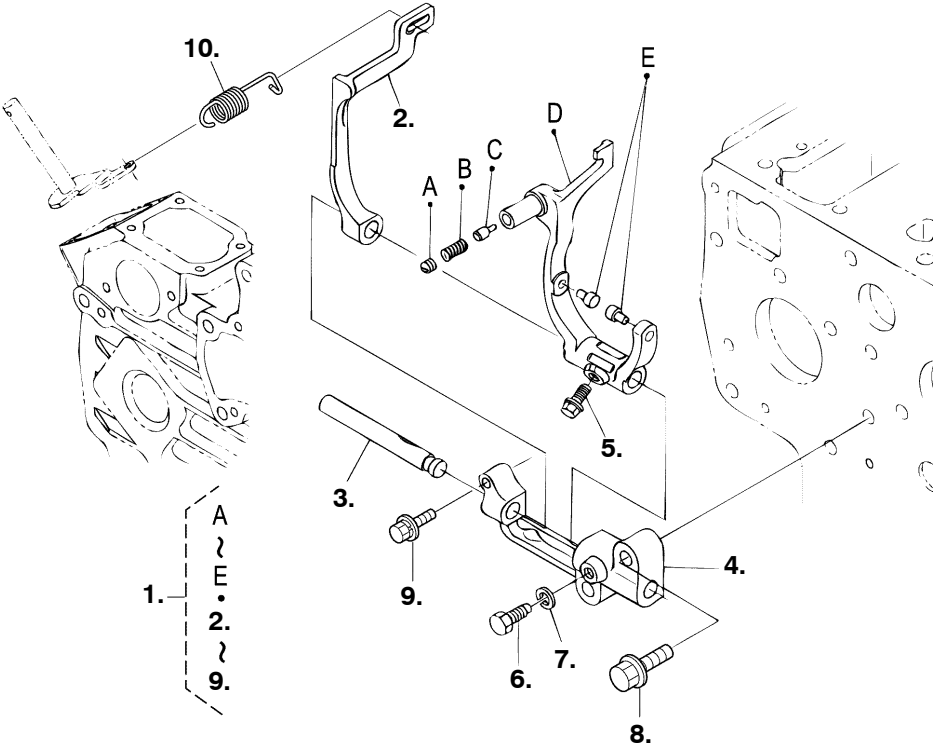
REF NO.	PART NO.	QTY USED	PART DESCRIPTION	REF NO.	PART NO.	QTY USED	PART DESCRIPTION
1.	506-0028	1	Spring, Governor	7.	800-6306	1	Bolt
2.	150-2847	1	Assy lever, Fork	8.	185-6759	1	Washer, Spring
3.	150-2842	1	Lever, Fork	9.	800-6334	2	Bolt, Flange
4.	150-2805	1	Shaft, Lever	10.	185-5147	1	Bolt
5.	800-6305	1	Bolt, Flange	11.	333-0707	1	Governor Actuator
6.	150-2836	1	Holder, Fork Lever	12.	185-6171	1	Cover, Speed Control

Speed Control Plate



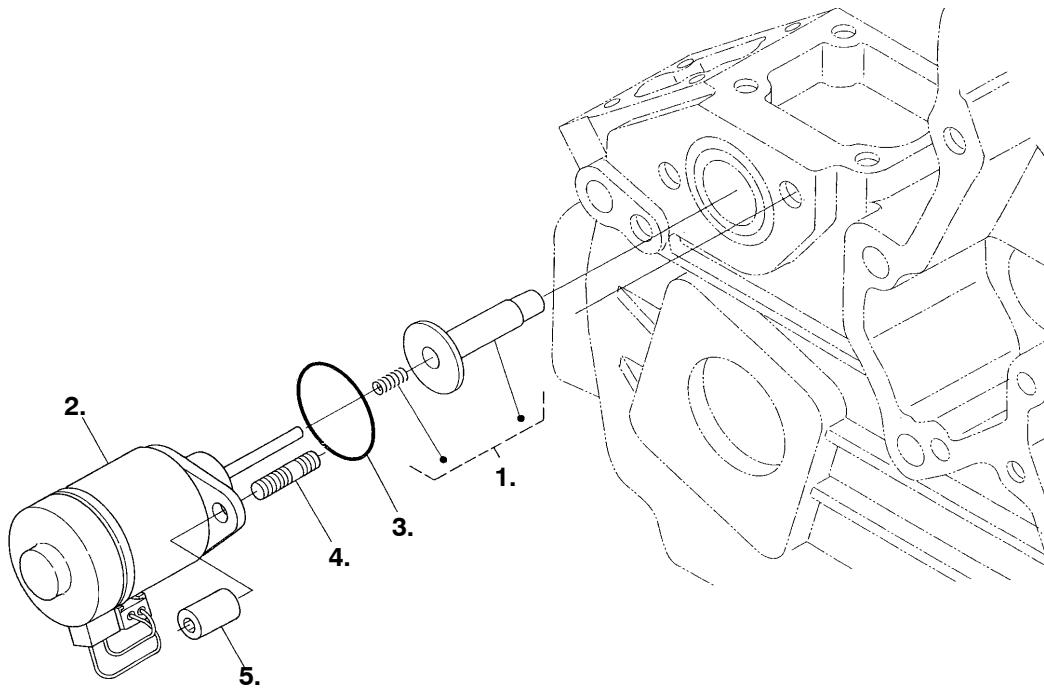
REF NO.	PART NO.	QTY USED	PART DESCRIPTION	REF NO.	PART NO.	QTY USED	PART DESCRIPTION
1.	150-2840	1	Assy Bolt, Adjustment	9.	509-0555	1	Seal, Oil
2.	800-6307	1	Bolt, Adjustment	10.	185-2351	1	Pin, Spring
3.	860-2032	1	Nut	11.	506-0027	1	Spring, Return
4.	185-2284	2	Gasket	12.	150-2844	1	Gasket, Plate
5.	185-5529	1	Nut	13.	185-2390	2	Bolt
6.	152-0379	1	Assy Plate, Control	14.	181-9034	2	Stud
7.	150-2841	1	Lever, Governor	15.	185-7166	2	Nut, Flange
8.	150-2852	1	Lever, Speed Control				

Speed Control (Begin Spec C)



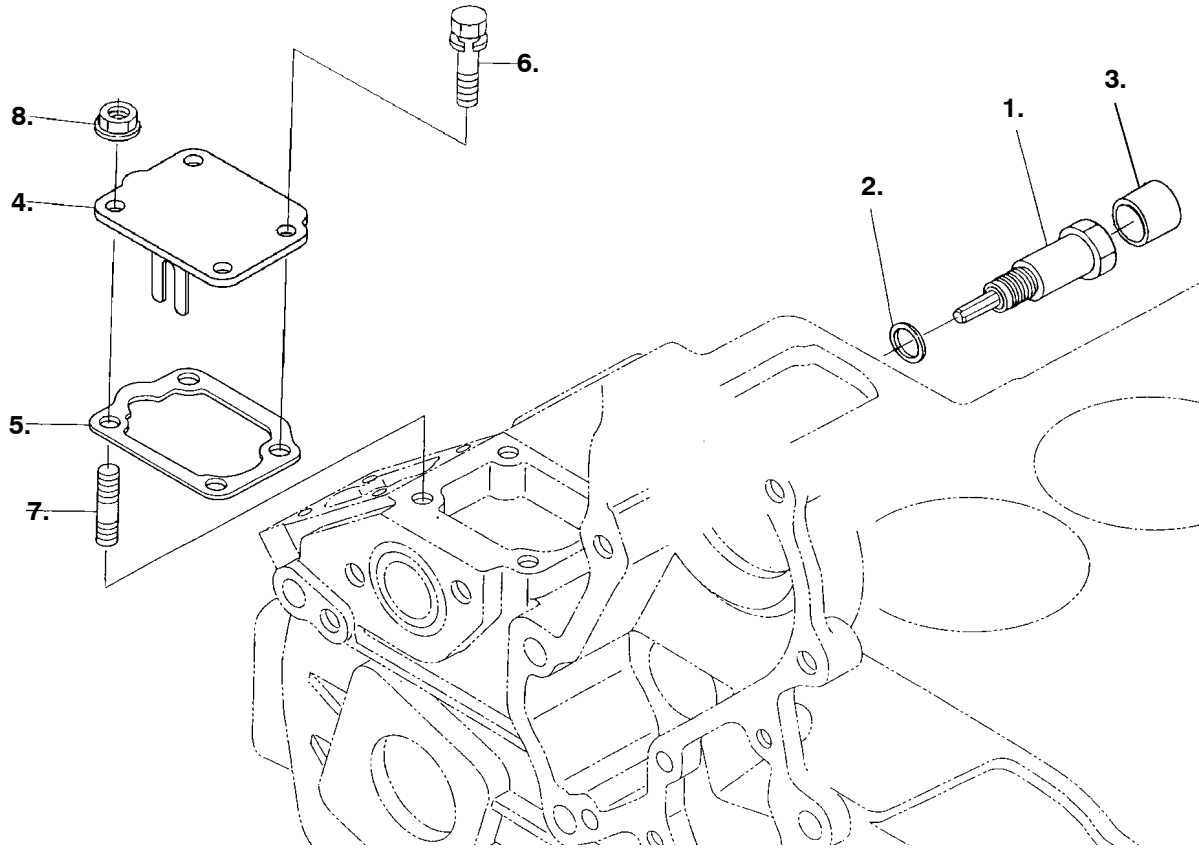
REF NO.	PART NO.	QTY USED	PART DESCRIPTION	REF NO.	PART NO.	QTY USED	PART DESCRIPTION
1.	506-0028	1	Assy lever, Fork	6.	800-6306	1	Bolt
2.	150-2842	1	Lever, Fork	7.	185-6759	1	Washer, Spring
3.	150-2805	1	Shaft, Lever	8.	800-6334	2	Bolt, Flange
4.	150-2836	1	Holder, Fork Lever	9.	185-5147	1	Bolt
5.	800-6305	1	Bolt, Flange	10.	148-1390	1	Spring, Governor

Stop Solenoid



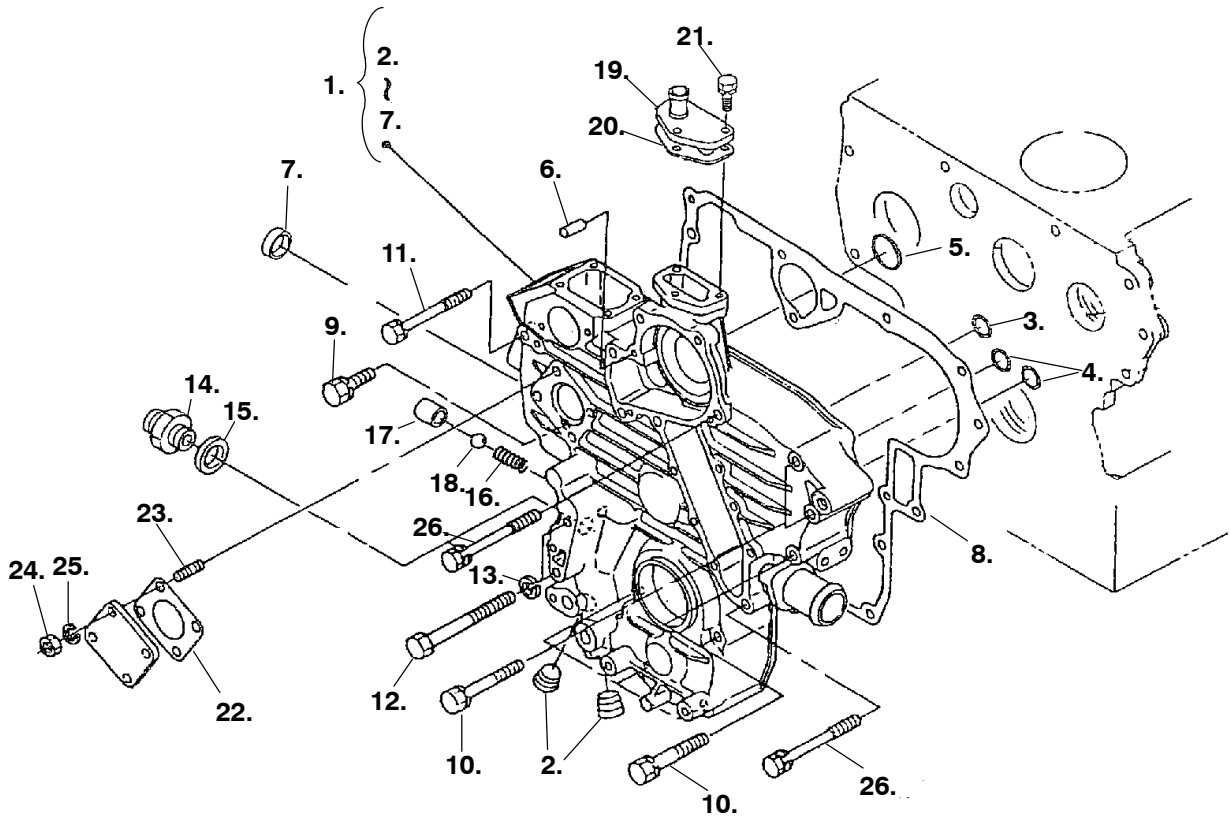
REF NO.	PART NO.	QTY USED	PART DESCRIPTION	REF NO.	PART NO.	QTY USED	PART DESCRIPTION
1.	150-2843	1	Comp Guide, Solenoid	4.	181-9034	2	Stud
2.	146-0909	1	Assy, Solenoid	5.	860-2070	2	Nut
3.	509-0409	1	O'Ring				

Idle Control (Begin Spec C)



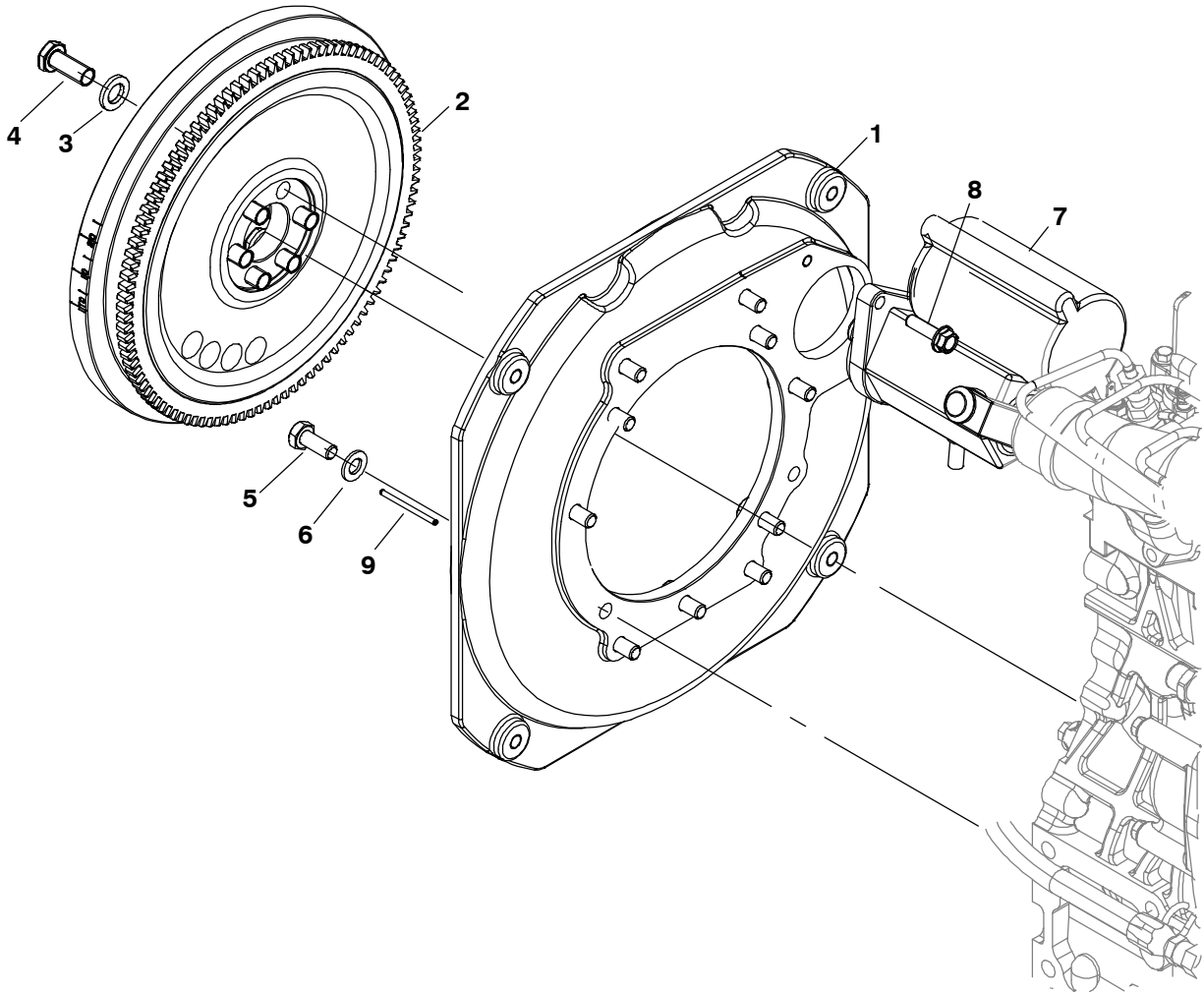
REF NO.	PART NO.	QTY USED	PART DESCRIPTION
1.	150-2853	1	Apparatus, Idling
2.	509-0418	1	Gasket
3.	517-0374	1	Cap
4.	103-0865	1	Cover
5.	150-2844	1	Gasket, Plate
6.	185-2388	2	Bolt
7.	185-5727	2	Stud
8.	185-7166	2	Nut

Gearcase



REF NO.	PART NO.	QTY USED	PART DESCRIPTION	REF NO.	PART NO.	QTY USED	PART DESCRIPTION
1.	103-0833	1	Gearcase	14.	505-2256	1	Joint, Pipe
2.	185-6481	2	Plug	15.	509-0415	1	Collar, Valve Seat
3.	509-0410	1	O'Ring	16.	185-5877	1	Spring
4.	509-0412	2	O'Ring	17.	185-5878	1	Seat, Valve
5.	509-0413	1	O'Ring	18.	185-6711	1	Ball
6.	185-5843	2	Pin, Straight	19.	185-5879	1	Flange, Water Return
7.	517-0370	1	Cap, Seal	20.	132-0449	1	Gasket, Return Flange
8.	103-0832	1	Gasket, Gear Case		185-5880	1	Spec A-B
9.			Bolt		185-5880	1	Begin Spec C
	185-2565	1	Spec A-B	21.	185-2390	3	Bolt
	800-6334	1	Begin Spec C	22.	302-2084	1	Gasket, Hourmeter Unit
10.			Bolt	23.	185-2105	4	Stud
	185-6713	1	Spec A-B	24.	185-4255	4	Nut
	800-6546	1	Begin Spec C	25.	185-6759	4	Washer, Spring
11.			Bolt	26.			Bolt
	185-6961	1	Spec A-B		185-5874	4	Spec A-B
	800-6543	1	Begin Spec C		815-1599	4	Begin Spec C
12.	185-7120	2	Bolt				
13.	185-6957	2	Washer, Spring (Spec A-B)				

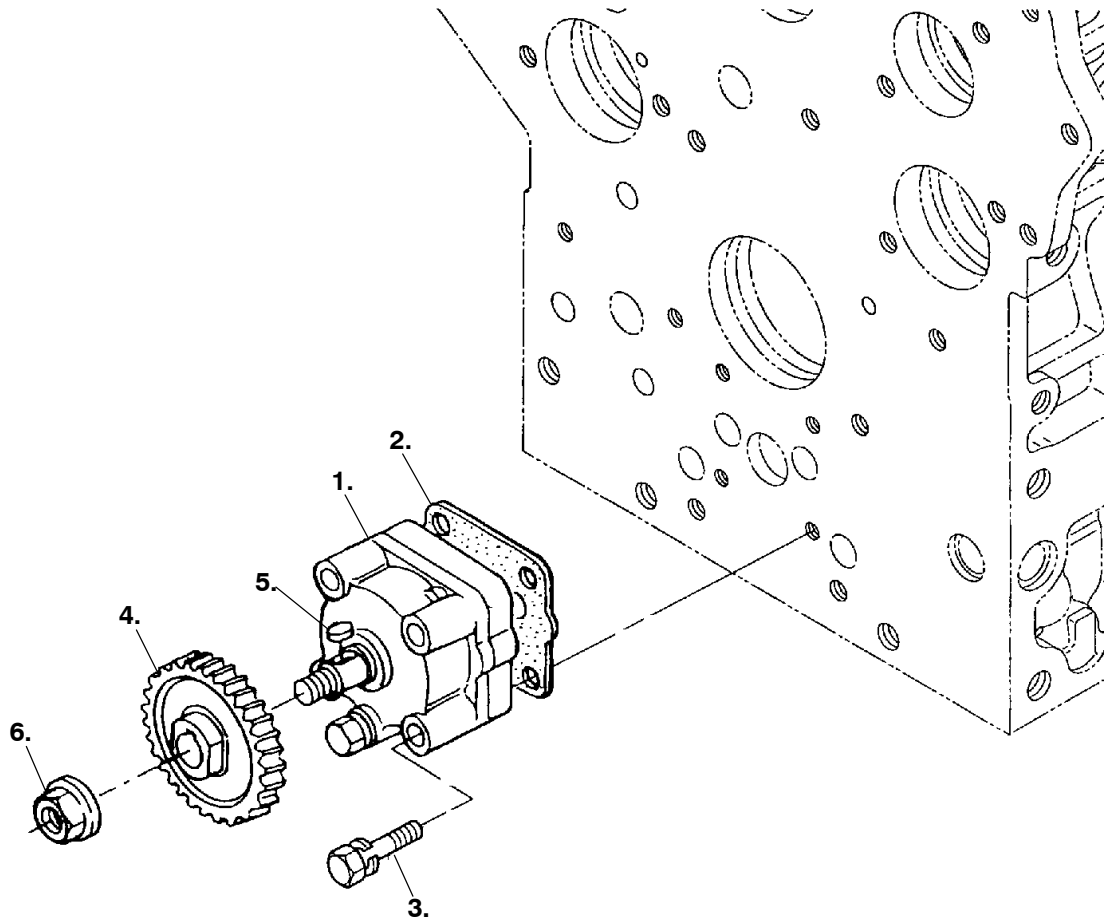
Flywheel



REF NO.	PART NO.	QTY USED	PART DESCRIPTION
1	104-2022	1	Housing, Flywheel
2	104-2020	1	Flywheel Spec A-B
	104-2132	1	Begin Spec C
3	526-0399-64	6	Washer (M12)
4	800-3032	6	Screw, Hex Head (12 x 1.25 x 30mm)

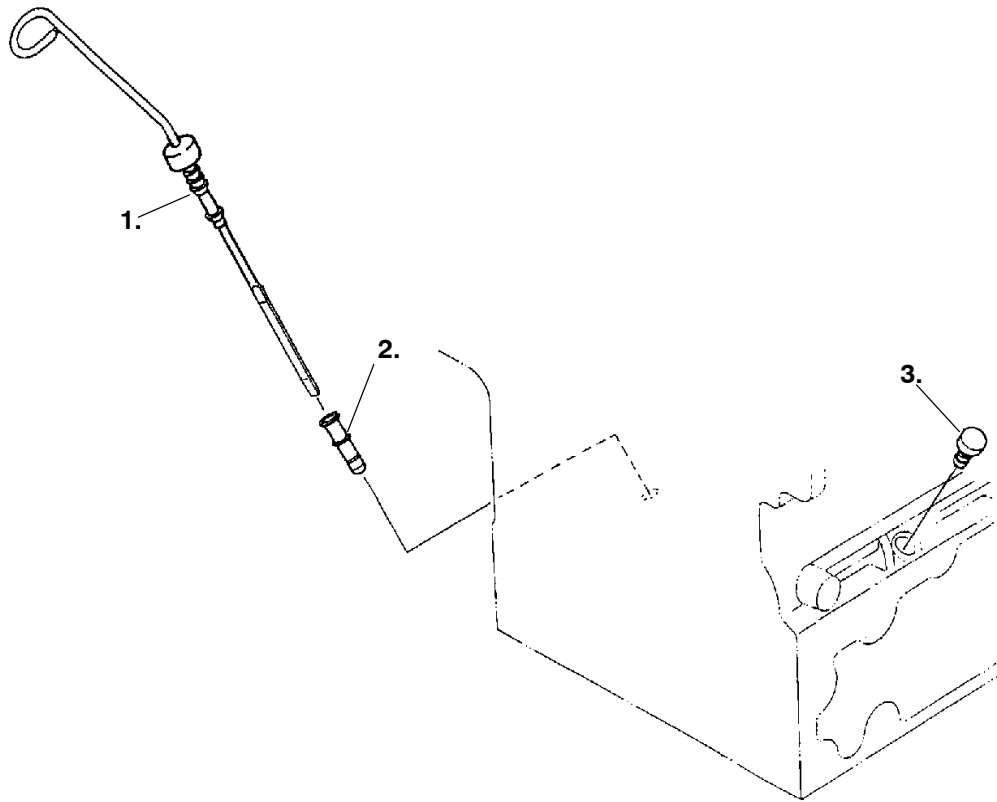
REF NO.	PART NO.	QTY USED	PART DESCRIPTION
5	815-0600	11	Screw, Lock Head Flange (M10 x 1.5 x 25mm)
6	740-1008	11	Washer, Flat (M10)
7	191-2229	1	Starter
8	815-0954-03	2	Screw, Flange Head Mach (M8 x 30mm)
9	516-0247	1	Pin, Dowel

Oil Pump



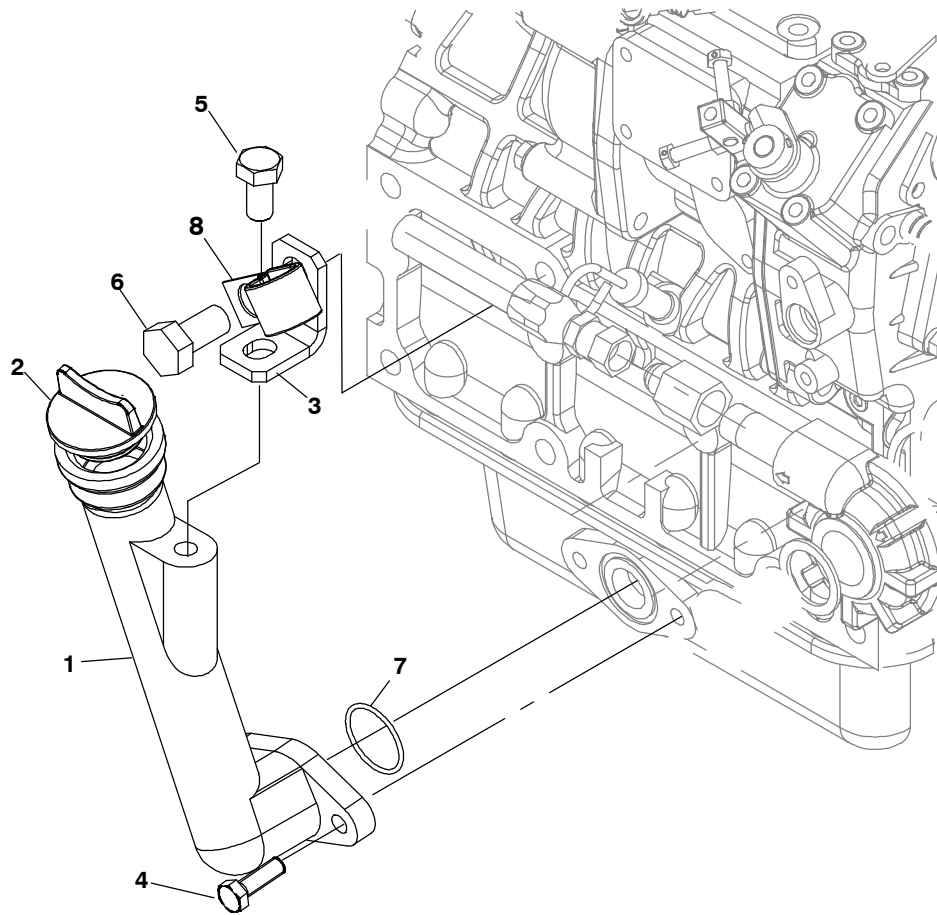
REF NO.	PART NO.	QTY USED	PART DESCRIPTION	REF NO.	PART NO.	QTY USED	PART DESCRIPTION
1.	185-5848	1	Assy Pump, Oil (Includes Parts Marked *)	5.	185-2352	1	*Key, Feather
2.	185-5849	1	*Gasket, Oil Pump	6.	185-7031	1	*Nut, Flange
3.	185-7069	4	*Bolt				
4.	185-5851	1	*Gear, Oil Pump Drive				* - Parts Included in Oil Pump Assy.

Oil Dipstick



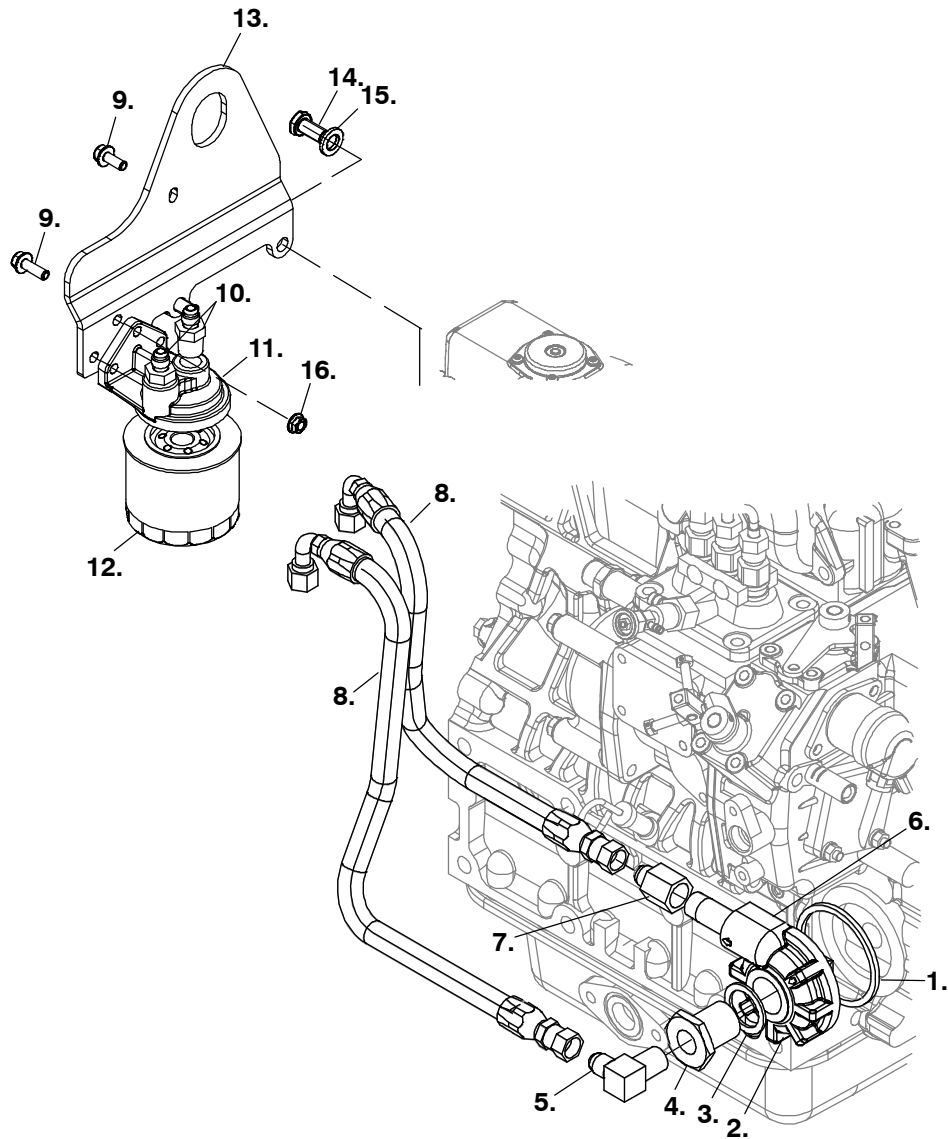
REF NO.	PART NO.	QTY USED	PART DESCRIPTION
1.	123-2265	1	Gauge, Oil
2.	123-2262	1	Guide, Oil Gauge
3.	517-0371	1	Plug, Oil Gauge Spec A-B
	181-9231	1	Begin Spec C

Oil Fill



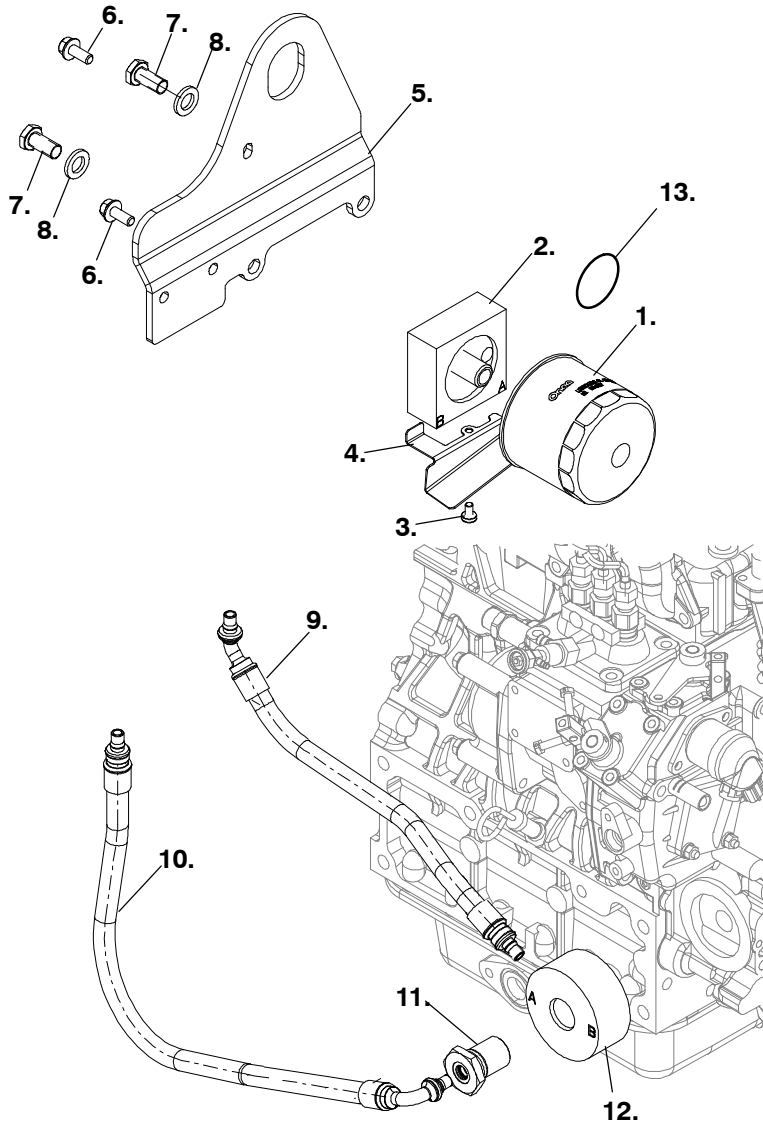
REF NO.	PART NO.	QTY USED	PART DESCRIPTION	REF NO.	PART NO.	QTY USED	PART DESCRIPTION
1	123-2253	1	Tube, Oil Fill	6	800-3031	1	Screw, Hex Head
2	185-2093	1	Cap, Oil Fill	7	123-2254	1	Gasket, Oil Fill
3	405-5508-SO	1	Bracket, Engine	8	332-2921	1	Clamp
4	718-1035	2	Screw, Hex Head				
5	800-3004	1	Screw, Hex Head				

Remote Oil Filter (Spec A-B)



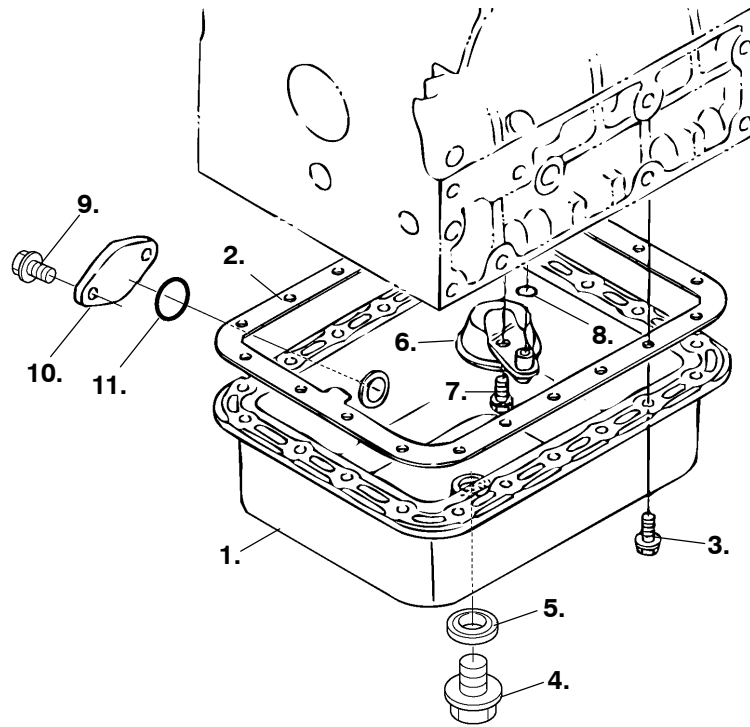
REF NO.	PART NO.	QTY USED	PART DESCRIPTION	REF NO.	PART NO.	QTY USED	PART DESCRIPTION
1.	122-0886	1	Gasket, Oil Filter	10.	502-0804	2	Connector, Male
2.	122-0882	1	Adapter, Oil Filter	11.	122-0476	1	Base, Remote Filter
3.	122-0884	1	Gasket, Oil Filter	12.	122-0893	1	Filter, Oil
4.	122-0883	1	Adapter, Oil Filter (Nut)	13.	403-5451-02	1	Plate, Lifting
5.	502-1505	1	Elbow, Tube	14.	800-3033	1	Screw, Hex Head Cap (M12 x 1.25 x 25mm)
6.	505-0139	1	Nipple, Pipe (3/8 NPT x 2")	15.	526-0399-64	1	Washer, Flat (M12)
7.	502-1506	1	Adapter, Tube	16.	870-2055	3	Nut, Locking Flange (M8 x 1.25mm)
8.	501-0848	2	Hose, Remote Oil Fill				
9.	815-0954-02	3	Screw, Flange Head Mach (M8 x 25mm)				

Remote Oil Fill (Begin Spec C)



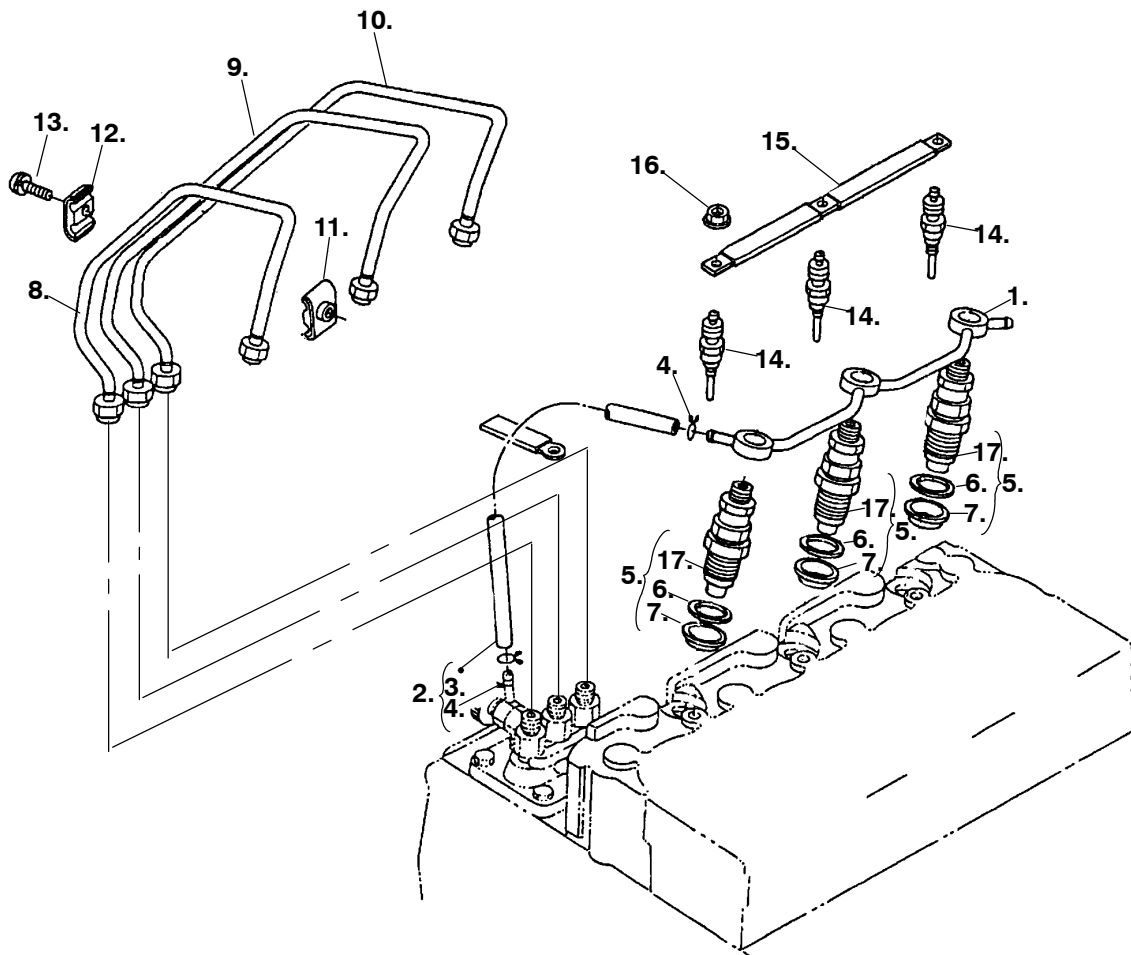
REF NO.	PART NO.	QTY USED	PART DESCRIPTION	REF NO.	PART NO.	QTY USED	PART DESCRIPTION
1.	122-0893	1	Filter, Oil	7.	800-3033	8	Screw, Hex Head Cap (M12 x 1.25 x 25mm)
2.	122-0914	1	Head, Oil Filter	8.	526-0399-64	2	Washer, Flat (M12)
3.	823-1002-03	1	Screw, Pan Head Torx (M6 x 10mm)	9.	503-2971	1	Hose, Oil
4.	120-1386	1	Bracket, Oil Drain	10.	503-2970	1	Hose, Oil
5.	403-6764-02	1	Plate, Lifting	11.	122-0916	1	Adapter, Oil Filter (Nut)
6.	815-0954-02	1	Screw, Flanged Head (M8 x 1.25 x 20mm)	12.	122-0915	1	Adapter, Oil Filter
				13.	122-0918	1	Seal, Oil

Oil Base



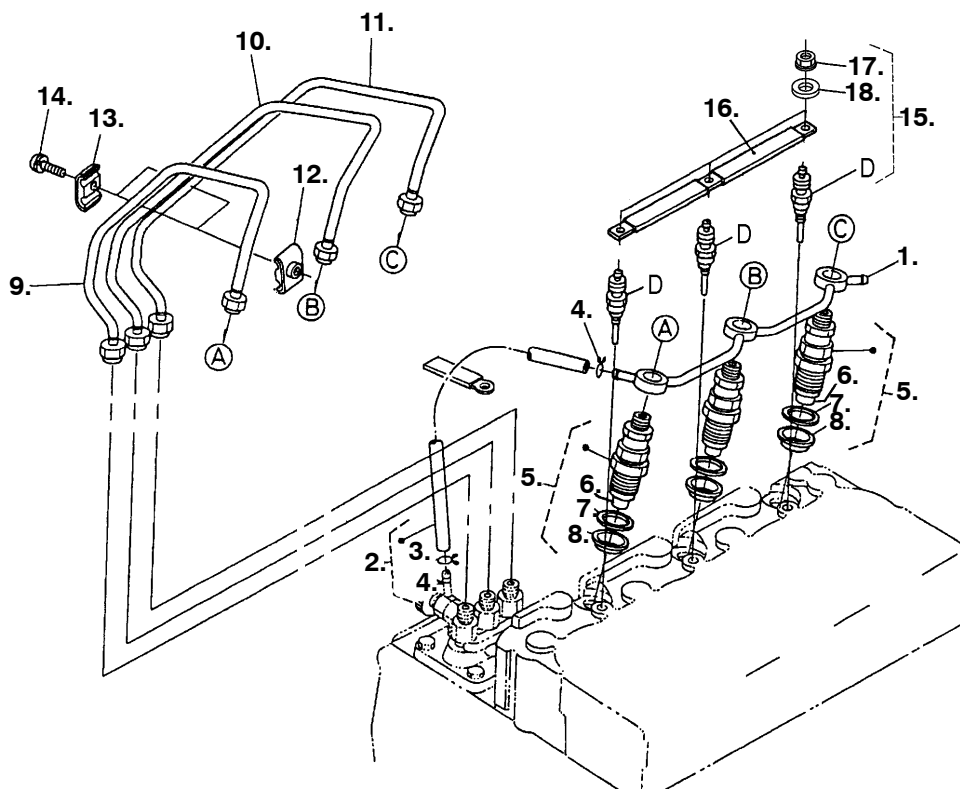
REF NO.	PART NO.	QTY USED	PART DESCRIPTION	REF NO.	PART NO.	QTY USED	PART DESCRIPTION
1.			Pan, Oil (Includes Plug and O'Ring)	6.	185-6728	1	Filter, Oil
	185-6953	1	Spec A-B	7.	185-6956	1	Bolt Spec A-B
	102-1572	1	Begin Spec C		185-2976	1	Begin Spec C
2.	102-1523	1	Gasket, Oil Pan	8.	509-0411	1	O'Ring
3.			Bolt, Flange	9.	800-6542	2	Bolt, Flange
	800-6340	20	Spec A-B	10.	102-1574	1	Cover
	800-6547	20	Begin Spec C	11.	185-6392	1	O'Ring
4.	185-6046	1	Plug				
5.	185-5495	1	Gasket				

Nozzle Holder and Glow Plug(Spec A-B)



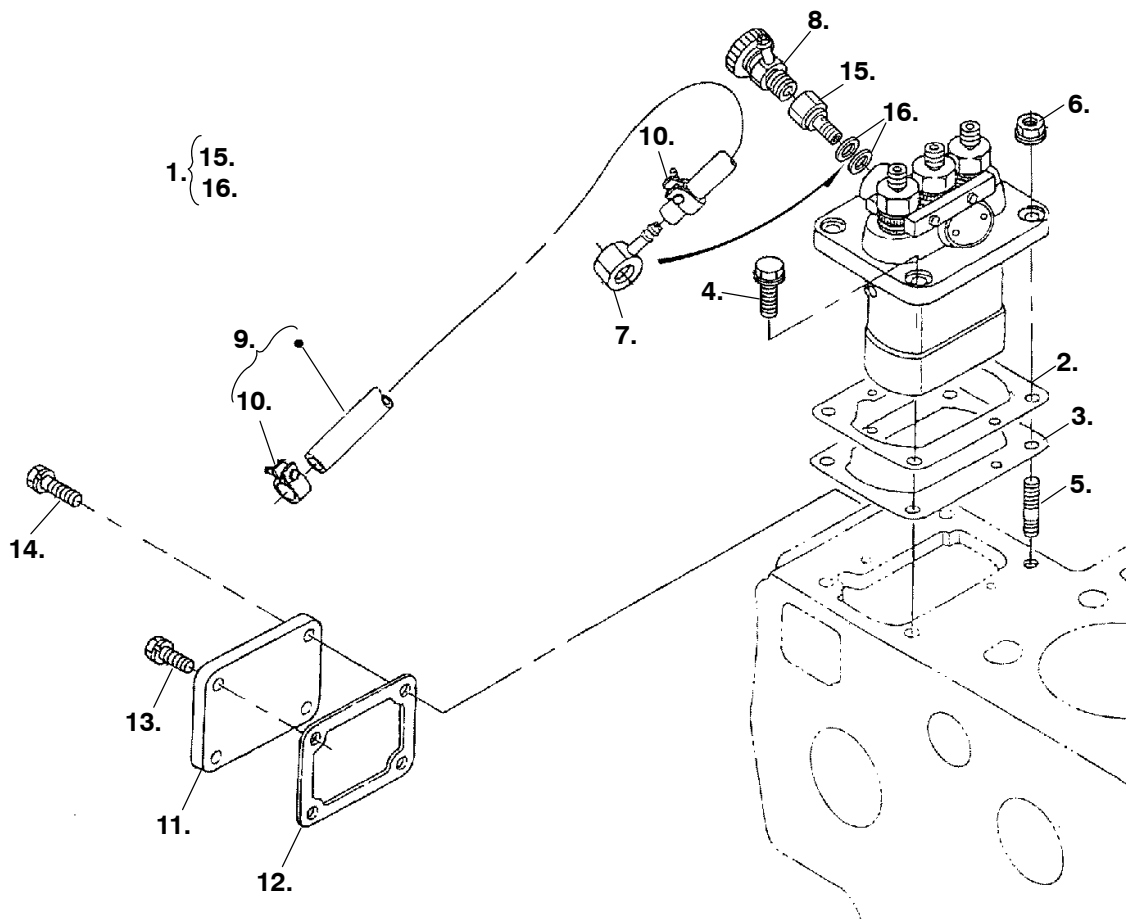
REF NO.	PART NO.	QTY USED	PART DESCRIPTION	REF NO.	PART NO.	QTY USED	PART DESCRIPTION
1.	185-7003	1	Assy, Overflow Pipe	10.	501-0885	1	Pipe, Injection
2.	185-6981	1	Assy, Overflow Pipe	11.	185-5612	2	Clamp, Pipe
3.	185-5608	1	Clip, Pipe	12.	185-2345	2	Clamp, Pipe
4.	185-6093	1	Clip, Pipe	13.	185-2385	2	Screw, w/Washer
5.	185-7008	3	Holder, Nozzle	14.	185-5990	3	Plug, Glow
6.	185-5337	3	Gasket	15.	337-3739	1	Cord, Glow Plug
7.	185-5985	3	Seal, Heat	16.	185-5615	3	Nut, Flange
8.	501-0884	1	Pipe, Injection	17.	185-7006	3	Piece, Nozzle
9.	501-0885	1	Pipe, Injection				

Nozzle Holder and Glow Plug (Begin Spec C)



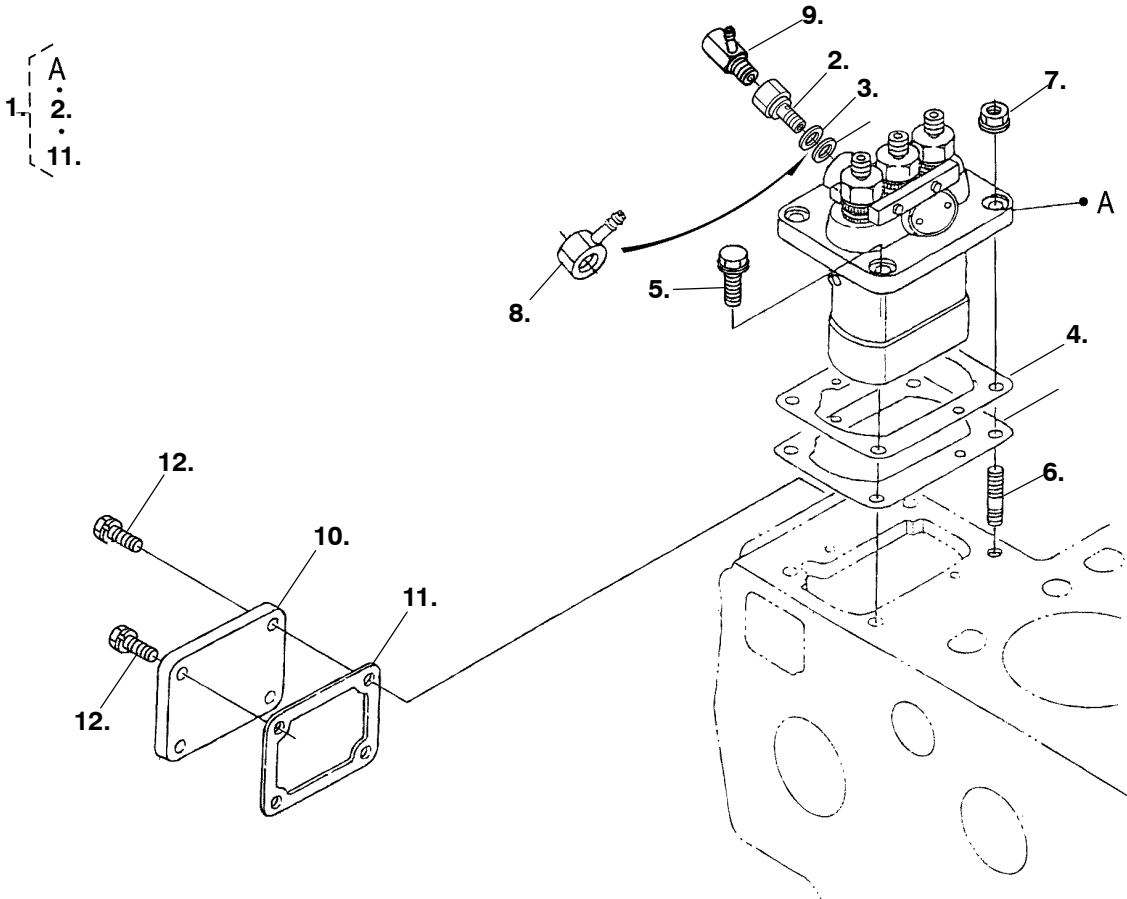
REF NO.	PART NO.	QTY USED	PART DESCRIPTION	REF NO.	PART NO.	QTY USED	PART DESCRIPTION
1.	185-7003	1	Assy, Overflow Pipe	10.	501-0885	1	Pipe, Injection
2.	185-6981	1	Assy, Overflow Pipe	11.	501-0886	1	Pipe, Injection
3.	185-5608	1	Clip, Pipe	12.	185-5612	2	Clamp, Pipe
4.	185-6093	1	Clip, Pipe	13.	185-2345	2	Clamp, Pipe
5.	185-7008	3	Holder, Nozzle	14.	185-2385	2	Screw, w/Washer
6.	185-7006	3	Piece, Nozzle	15.	185-5990	3	Plug, Glow
7.	185-5337	3	Gasket	16.	337-3739	1	Cord, Glow Plug
8.	185-5985	3	Seal, Heat	17.	185-5615	3	Nut, Flange
9.	501-0884	1	Pipe, Injection	18.	185-7004	3	Washer, Plain

Injection Pump Components (Spec A-B)



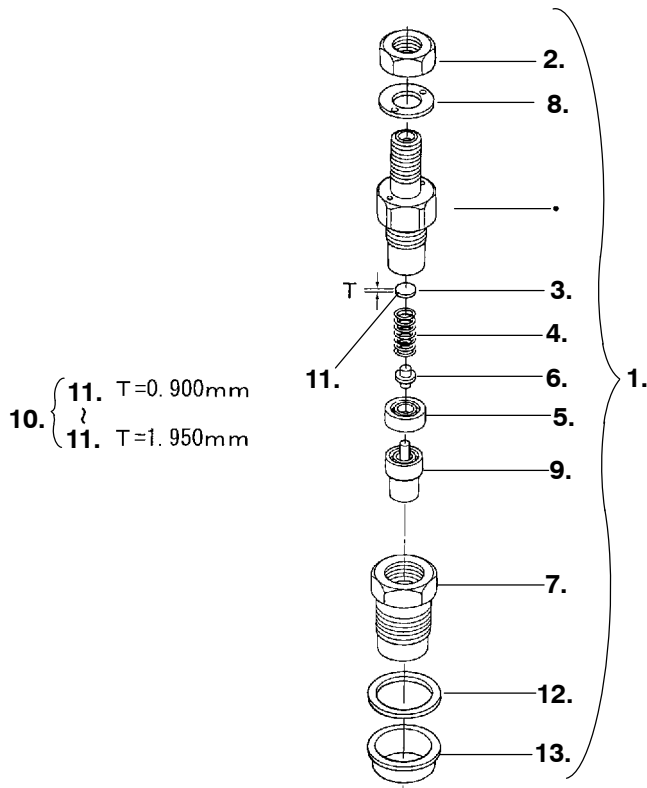
REF NO.	PART NO.	QTY USED	PART DESCRIPTION	REF NO.	PART NO.	QTY USED	PART DESCRIPTION
1.	147-0892	1	Pump, Injection	8.	505-2258	1	Orifice
2.	185-6987	1	Shim, Injector Pump .20mm	9.	185-5979	1	Pipe, Fuel
	185-6988	1	.25mm	10.	503-0731	2	Clip, Pipe
3.	185-6989	1	Shim, Injector Pump	11.	152-0373	1	Cover, Injector Pump
4.	800-6333	2	Bolt, Flange	12.	101-0837	1	Gasket, Pump Cover
5.	185-2106	2	Stud	13.	185-2388	2	Bolt
6.	185-7134	2	Nut, Flange	14.	185-2389	2	Bolt
7.	185-6991	1	Joint, Eye	15.	505-2251	1	Screw, Follow
				16.	185-6996	2	Gasket

Injection Pump Components (Begin Spec C)



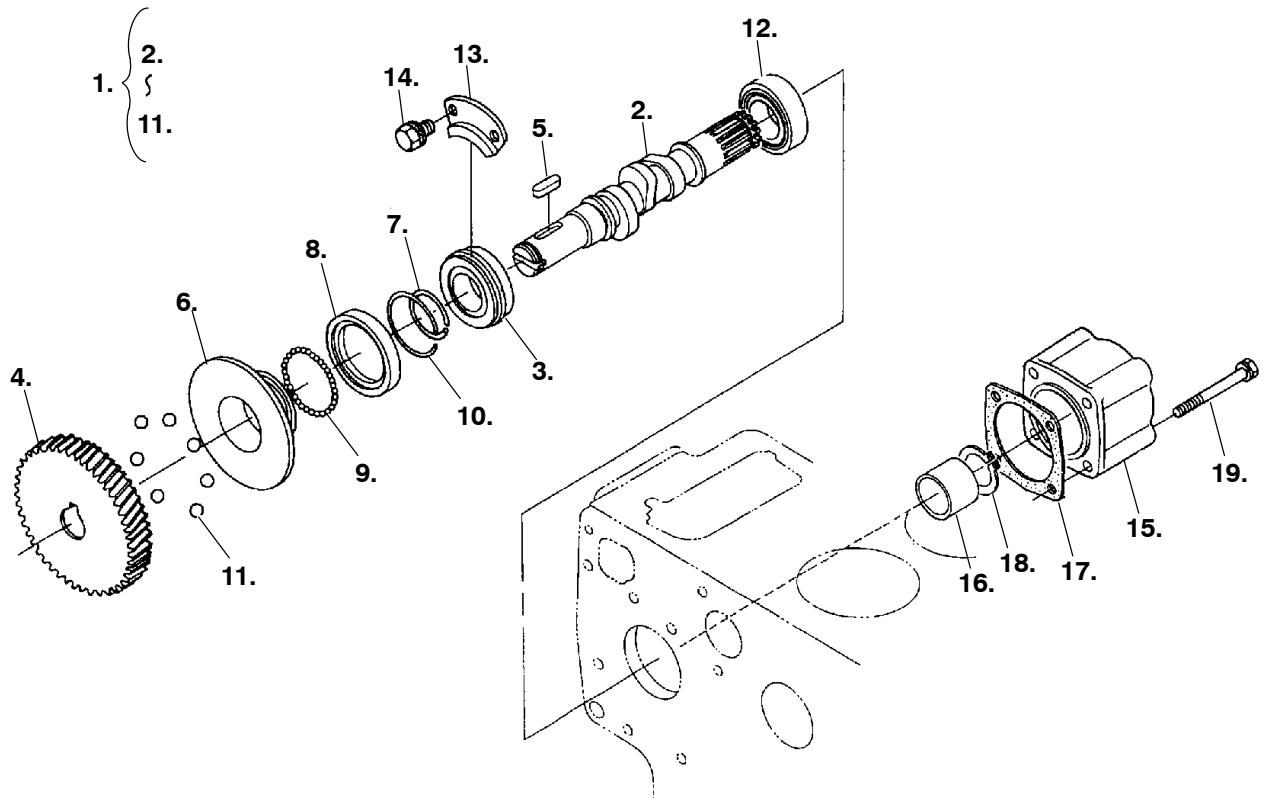
REF NO.	PART NO.	QTY USED	PART DESCRIPTION	REF NO.	PART NO.	QTY USED	PART DESCRIPTION
1.	147-0892	1	Pump, Injection	5.	800-6333	2	Bolt, Flange
2.	185-6998	1	Screw, Hollow	6.	185-2106	2	Stud
3.	185-6996	1	Gasket	7.	185-7134	2	Nut, Flange
4.			Shim, Injector Pump	8.	185-6991	1	Joint, Eye
	147-0985	1	.175mm	9.	505-2258	1	Orifice
	185-6987	1	.200mm	10.	152-0373	1	Cover, Injection Pipe
	185-6988	1	.250mm	11.	101-0837	1	Gasket, Pump Cover
	185-6989	1	.300mm	12.	185-2388	2	Bolt

Injection Nozzle Components



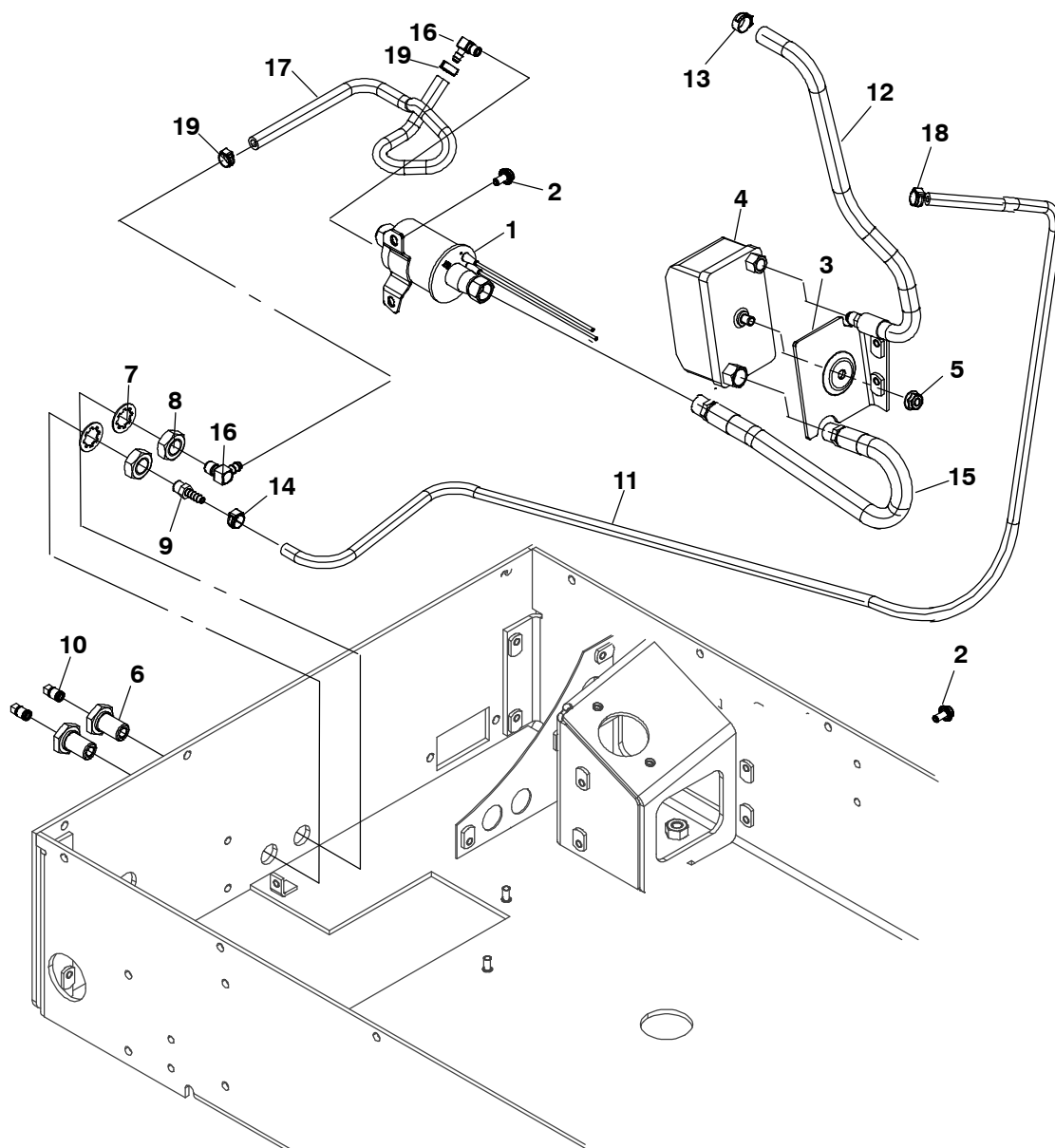
REF NO.	PART NO.	QTY USED	PART DESCRIPTION	REF NO.	PART NO.	QTY USED	PART DESCRIPTION
1.	185-7008	3	Holder, Nozzle		185-5381	3	1.325mm
2.	185-5616	3	Nut		185-5382	3	1.350mm
3.	185-5364	3	Washer, Adjusting		185-5383	3	1.375mm
4.	185-5617	3	Spring, Nozzle		185-5384	3	1.400mm
5.	185-5618	3	Piece, Distance		185-5385	3	1.425mm
6.	185-5619	3	Push, Rod		185-5386	3	1.450mm
7.	185-6825	3	Nut, Nozzle		185-5387	3	1.475mm
8.	185-5621	3	Washer		185-5388	3	1.500mm
9.	185-7006	3	Piece, Nozzle		185-5389	3	1.525mm
10.	185-5363	3	Washer, Adjust		185-5390	3	1.550mm
11.			Washer, Adjust		185-5391	3	1.575mm
	185-5364	3	0.900mm		185-5392	3	1.600mm
	185-5365	3	0.925mm		185-5393	3	1.625mm
	185-5366	3	0.950mm		185-5394	3	1.650mm
	185-5367	3	0.975mm		185-5395	3	1.675mm
	185-5368	3	1.000mm		185-5396	3	1.700mm
	185-5369	3	1.025mm		185-5397	3	1.725mm
	185-5370	3	1.050mm		185-5398	3	1.750mm
	185-5371	3	1.075mm		185-5399	3	1.775mm
	185-5372	3	1.100mm		185-5400	3	1.800mm
	185-5373	3	1.125mm		185-5401	3	1.825mm
	185-5374	3	1.150mm		185-5402	3	1.850mm
	185-5375	3	1.175mm		185-5403	3	1.875mm
	185-5376	3	1.200mm		185-5404	3	1.900mm
	185-5377	3	1.225mm		185-5405	3	1.925mm
	185-5378	3	1.250mm		185-5406	3	1.950mm
	185-5379	3	1.275mm	12.	185-5337	3	Gasket
	185-5380	3	1.300mm	13.	185-5985	3	Seal, Heat

Fuel Camshaft



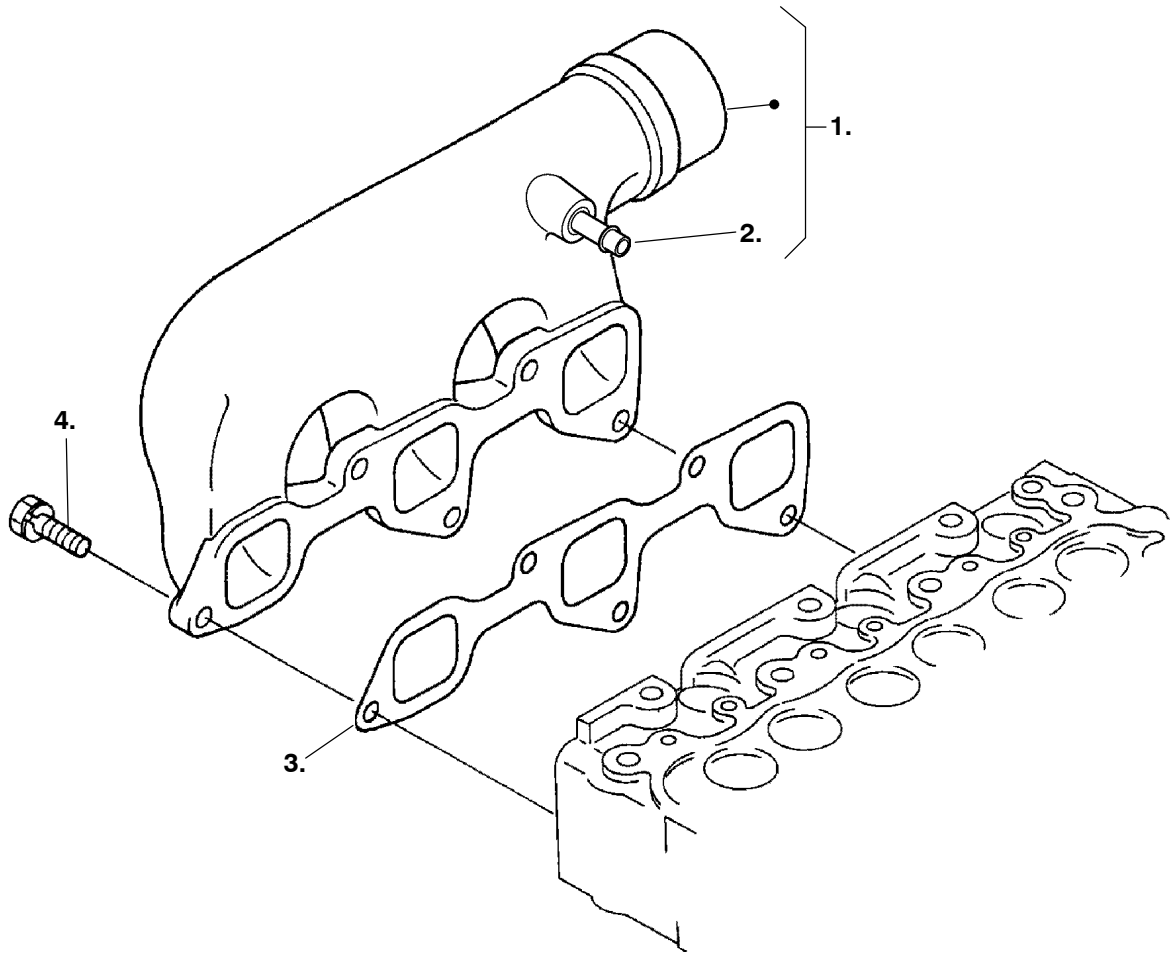
REF NO.	PART NO.	QTY USED	PART DESCRIPTION	REF NO.	PART NO.	QTY USED	PART DESCRIPTION
1.	150-2838	1	Assy,Camshaft Fuel	10.	518-0713	1	Circle Clip
	105-0773	1	Spec A-B	11.	105-0741	7	Ball
			Begin Spec C	12.	510-0214	1	Bearing, Ball
2.	150-2839	1	Camshaft, Fuel	13.	185-5962	1	Stopper, Fuel Camshaft
3.	185-5947	1	Bearing, Ball	14.	185-6956	2	Bolt
4.			Gear, Injection Pump	15.	185-6772	1	Cover, Fuel Camshaft
	147-0882	1	Spec A-B	16.	150-2837	1	Collar
	147-0984	1	Begin Spec C	17.			Gasket
5.	185-5949	1	Key, Feather		150-2848	1	Spec A-B
6.	150-2798	1	Sleeve, Governor		150-2993	1	Begin Spec C
7.	518-0712	1	Circle Clip, Governor Sleeve	18.	185-5963	1	Circle Clip, External
8.	150-2800	1	Case, Governor Ball	19.	185-6773	1	Bolt
9.	105-0740	39	Ball				

Fuel System



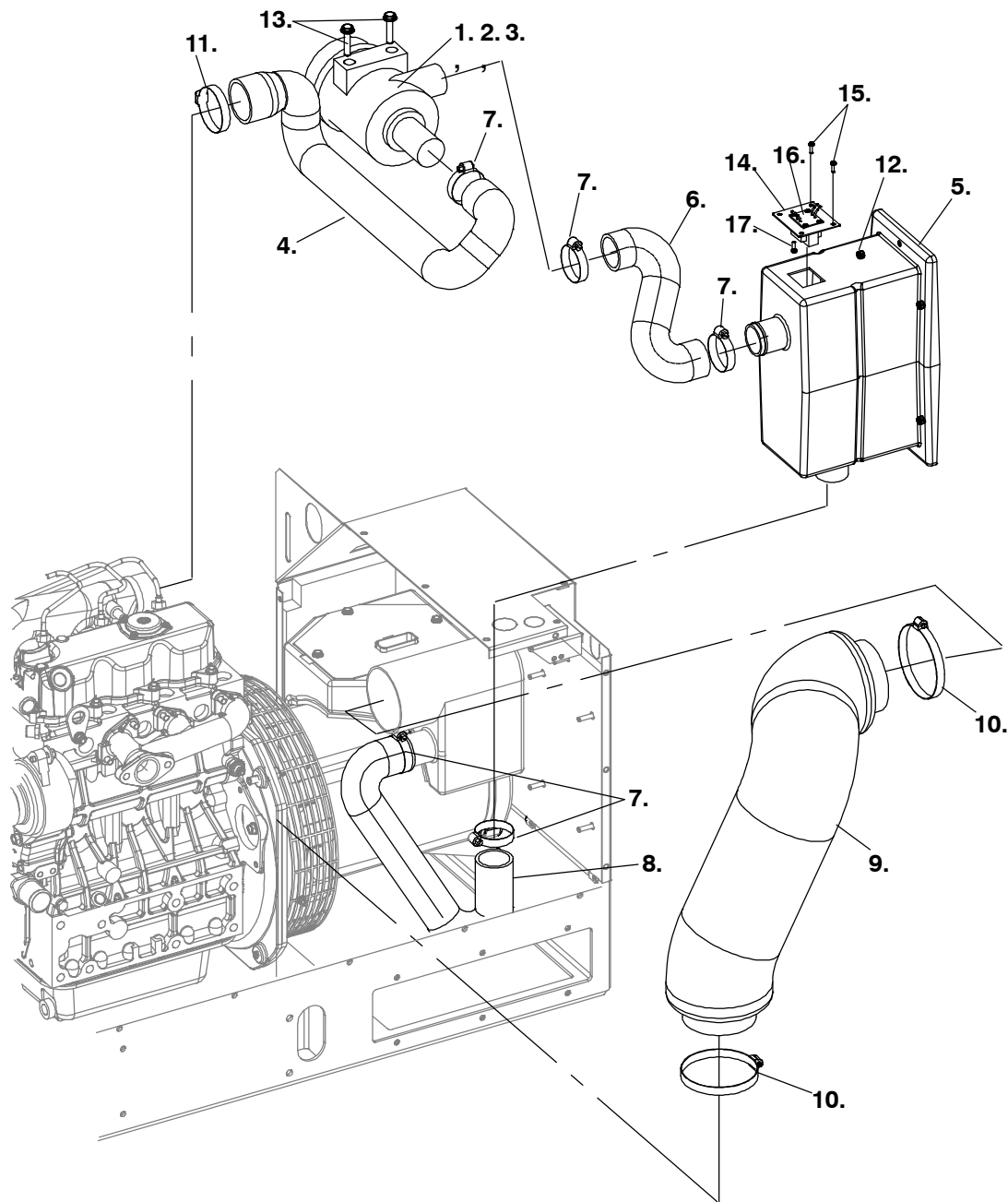
REF NO.	PART NO.	QTY USED	PART DESCRIPTION	REF NO.	PART NO.	QTY USED	PART DESCRIPTION
1	149-2790	1	Pump, Fuel	10	517-0273	2	Plug, Pipe
2	821-2096-02	4	Screw, Locking Flange Head (M6 x 1 x 12mm)	11	A030T747	1	Line, Fuel
3	149-2726-02	1	Bracket, Fuel Filter	12	A030D755	1	Hose, Fuel
4	149-2513	1	Filter, Fuel	13	503-1951-13	1	Clamp, Hose
5	870-0257	1	Nut, Self Locking Flange (5/16-18)	14	503-1951-09	2	Clamp, Hose
6	502-1296-02	2	Fitting, Bulkhead	15	501-0804-01	1	Line, Fuel
7	854-0028	2	Washer, IT Lock (5/8")	16	502-0313	2	Elbow, 90° Degrees
8	868-0007	2	Nut, Hex Jam (5/8-18)	17	A029L892	1	Hose, Fuel
9	502-1299	1	Connector, Hose	18	503-1952-06	1	Clamp, Hose
				19	503-1951-12	2	Clamp, Hose

Exhaust Manifold



REF NO.	PART NO.	QTY USED	PART DESCRIPTION	REF NO.	PART NO.	QTY USED	PART DESCRIPTION
1.	154-3289	1	Manifold Inlet	3.	154-3188	1	Gasket, Inlet Manifold
2.	185-6103	1	Pipe, Water Return	4.	185-2402	5	Bolt

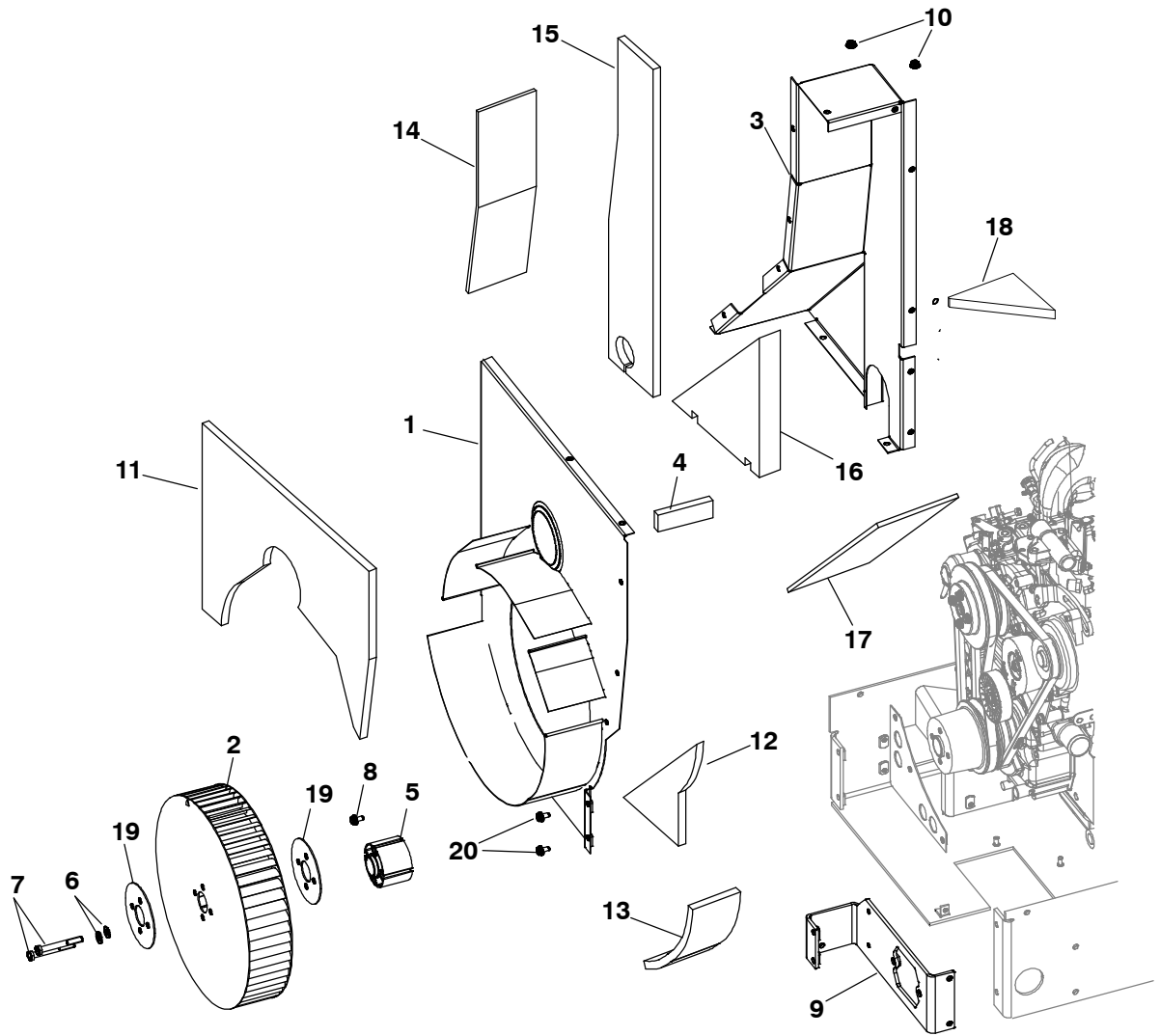
Air Intake System



REF NO.	PART NO.	QTY USED	PART DESCRIPTION	REF NO.	PART NO.	QTY USED	PART DESCRIPTION
1.	140-3050	1	Cleaner, Air (Includes Parts Marked *)	12.	870-0506	5	Nut, Nylon Locking (M6)
2.	140-3072	1	*Cover, Cleaner	13.	821-2097-06	2	Screw, Lock Flange (M8 x 1.25 x 40mm)
3.	140-3071	1	*Cleaner, Element	14.	315-1650-02	1	Plate, Transformer
4.	503-2497	1	Hose, Intake	15.	815-0888	4	Screw, Pan Head (SDT)
5.	140-3519-01	1	Resonator, Intake	16.	315-0899	1	Transformer, Current (Voltage Transformer)
6.	A040K673	1	Hose, Air	17.	818-0247-01	4	Rivet, Pop
7.	503-0365	5	Clamp, Hose				
8.	503-2435	1	Hose, Air (Generator)				
9.	503-2446	1	Hose, Intake				
10.	503-1148	2	Clamp, Hose				
11.	503-0465	1	Clamp, Hose				

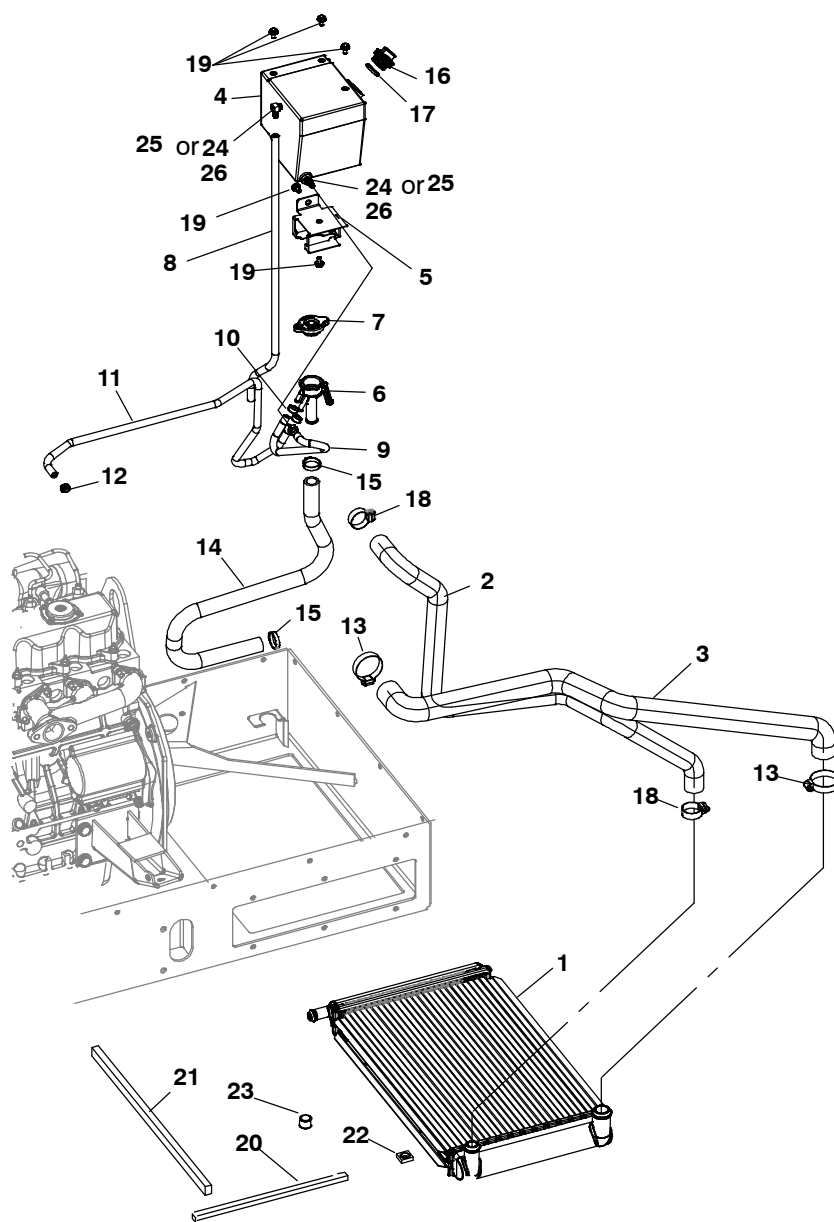
* - Parts included in Air Cleaner.

Fan Mounting



REF NO.	PART NO.	QTY USED	PART DESCRIPTION	REF NO.	PART NO.	QTY USED	PART DESCRIPTION
1	405-8238-02	1	Baffle, Air	11	405-8500	1	Insulation, Baffle
2	130-4748	1	Fan, Sucker	12	405-8499	1	Insulation, Outlet (Duct)
3	405-9540-02	1	Duct, Air	13	405-8285	1	Insulation, Outlet
4	405-8489	1	Insulation, Duct	14	405-9150	1	Insulation, Outlet
5	130-1872	1	Spacer, Fan	15	405-9148	1	Insulation, Outlet (Duct)
6	740-1006	4	Washer, Flat (M8)	16	405-9149	1	Insulation, Outlet (Duct)
7	800-2066	4	Screw, Hex Head (M8 x 1.25 x 65mm)	17	405-8491	1	Insulation, Outlet (Duct)
8	821-2096-02	12	Screw, Locking Flange (M6 x 1 x 12mm)	18	405-9578	1	Insulation, Outlet (Duct)
9	403-5450-02	1	Plate, Bulkhead	19	205-0320-02	2	Backplate, Fan (Begin Spec B)
10	870-2054	3	Nut, Locking, Flange (M6 x 1)	20	821-2096-03	7	Screw, Locking Flange (M6 x 1 x 16mm)

Cooling System



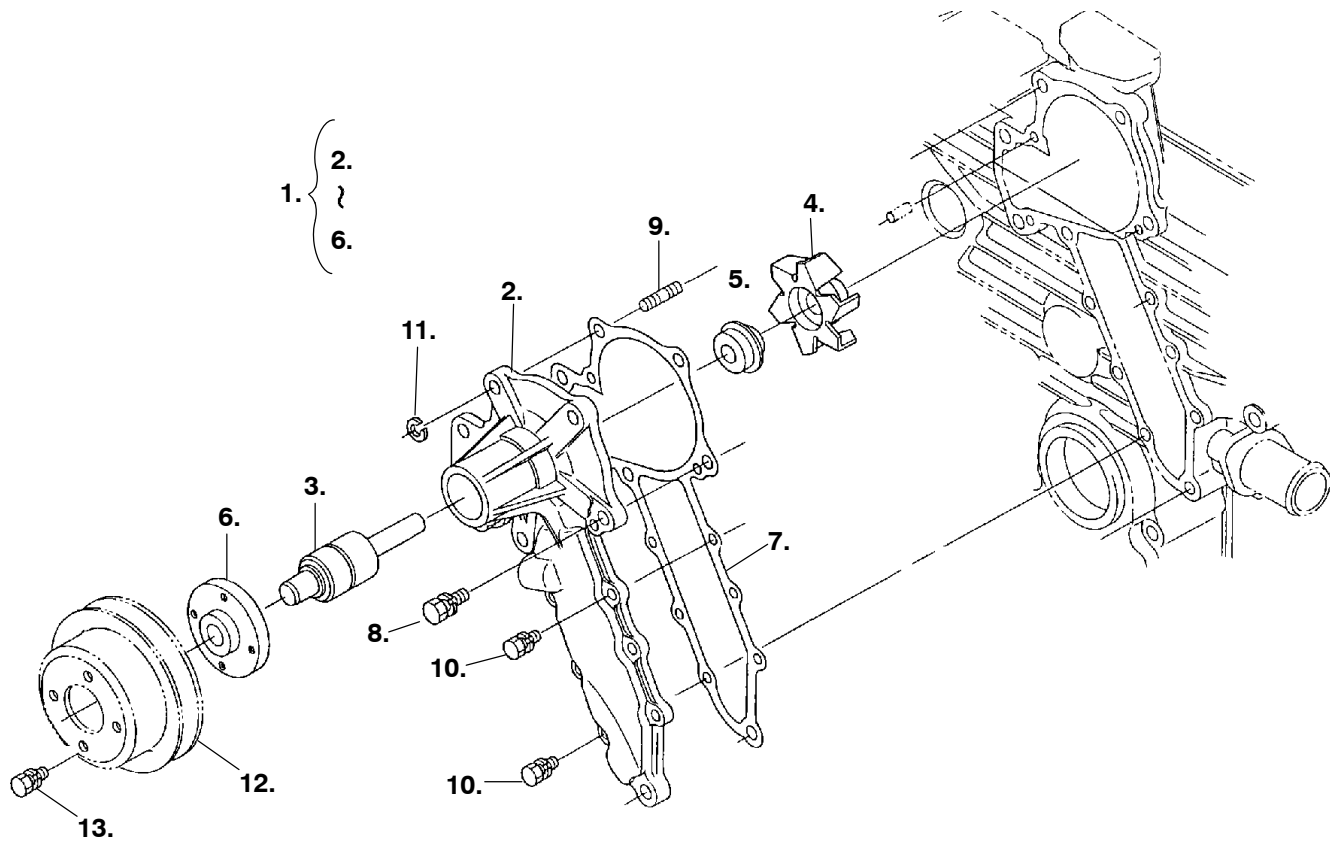
REF NO.	PART NO.	QTY USED	PART DESCRIPTION	REF NO.	PART NO.	QTY USED	PART DESCRIPTION
1	130-6171	1	Radiator	17	509-0329	1	O'Ring
2	503-2500	1	Hose, Coolant	18	503-1137	2	Screw, Hose Clamp
3	503-2501	1	Hose, Coolant	19	821-2096-02	12	*Screw, Locking, Flange (M6 x 1 x 12mm)
4	A041E766		Tank, Recovery Kit	20	130-6248	2	Seal, Radiator
5	123-2240-03	1	*Bracket, Fill Tube	21	130-6247	1	Seal, Radiator
6	130-4321	1	Neck, Fill	22	A041A765	1	Seal, Radiator
7	130-4320	1	Cap, Fill	23	505-0180	1	Plug, Counter Sunk Head
8	503-1959	1	Hose, Air Bleeder	24	502-1529	2	@Connection, Hose Nylon 90°
9	503-2059	1	Hose, Overflow	25	A028T907	2	*Connector, Hose (90°)
10	503-1951-12	3	Clamp, Hose	26	0508-1104	2	*Grommet
11	503-2555	1	Hose, Coolant (Vent)				
12	503-1951-09	1	Clamp, Hose				
13	503-1138	2	Screw, Hose Clamp				
14	503-2554	1	Hose, Fill				
15	503-1951-35	2	Clamp, Hose				
16	130-4450-02	1	Cap, Push-On				

* - Parts included in coolant recover tank kit.

@- For use in older coolant recover tanks.

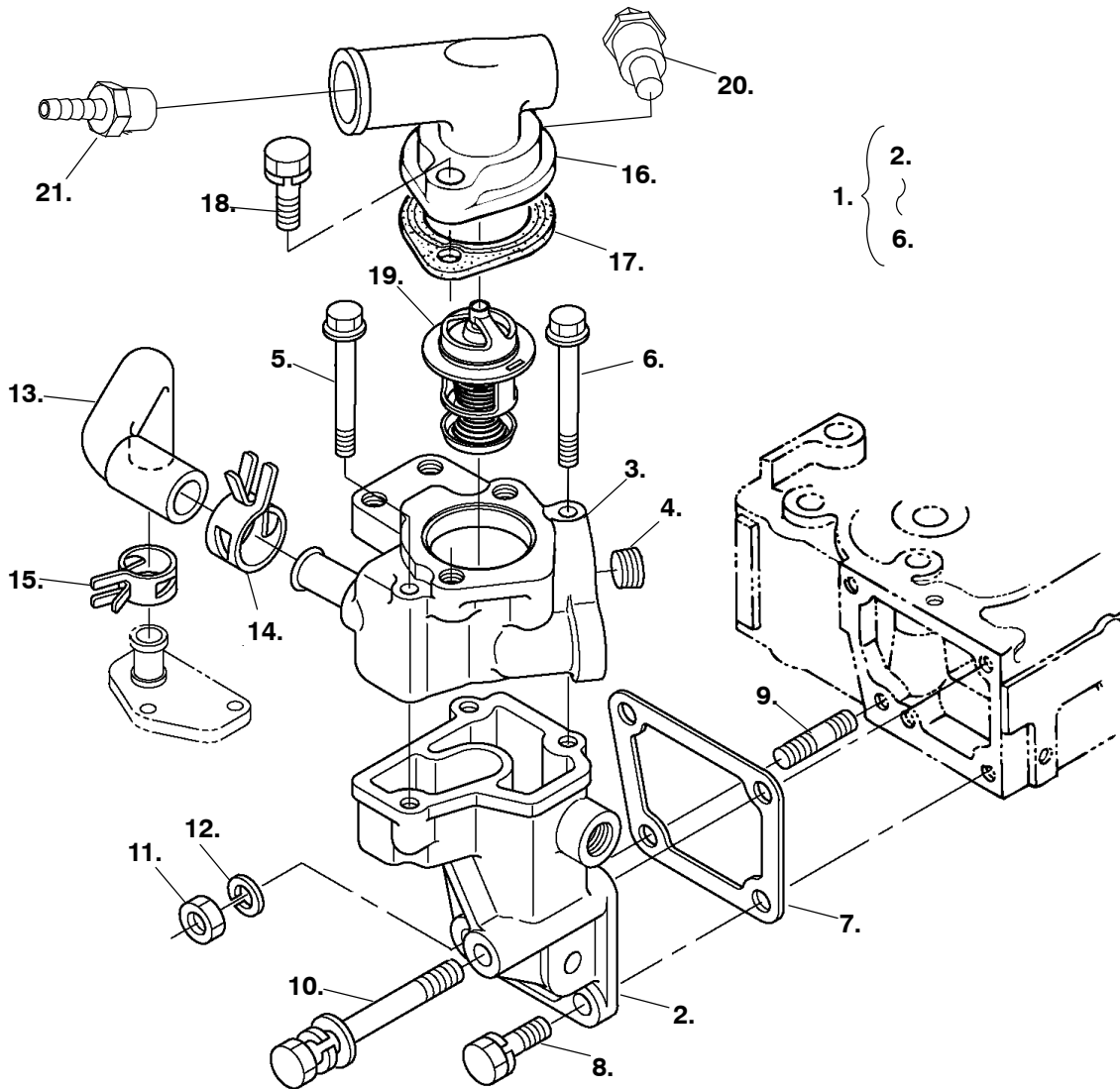
- For use with coolant recover tank kit part A041E766 and expansion tank A040V501.

Water Pump



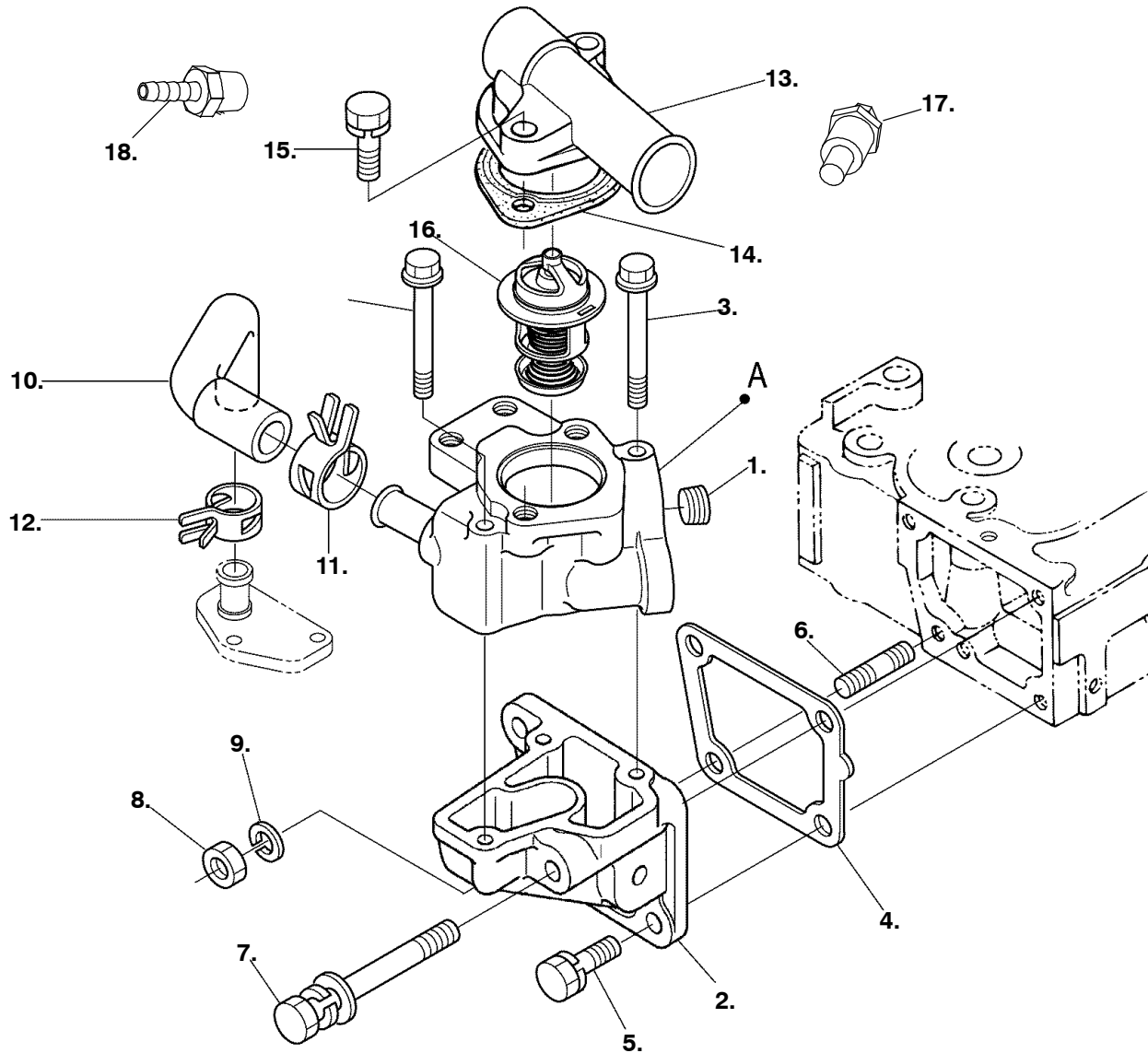
REF NO.	PART NO.	QTY USED	PART DESCRIPTION	REF NO.	PART NO.	QTY USED	PART DESCRIPTION
1.	132-0448	1	Pump, Water	8.	185-2404	2	Bolt
2.	132-0446	1	Body, Water Pump	9.	520-2655	1	Stud
3.	510-0215	1	Bearing	10.	185-2389	6	Bolt
4.	132-0444	1	Impeller, Water Pump	11.	185-6957	1	Washer, Spring
5.	509-0419	1	Seal, Shaft	12.	512-0447	1	Pulley, Fan
6.	130-6347	1	Flange, w/ Pump Shaft	13.	185-7013	4	Bolt, Flanged
7.	132-0447	1	Gasket, Water Pump				

Thermostat Assy (Spec A-B)



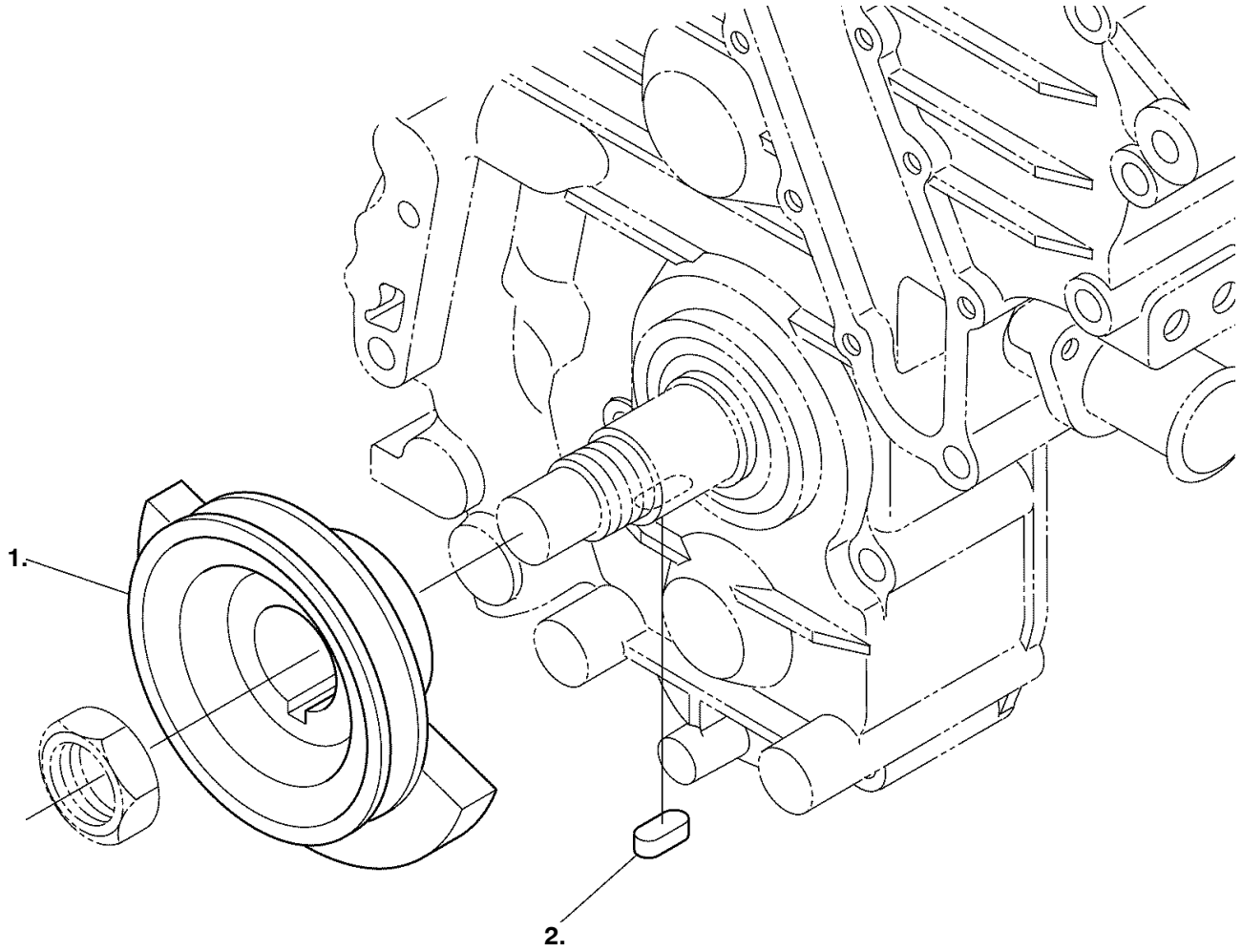
REF NO.	PART NO.	QTY USED	PART DESCRIPTION	REF NO.	PART NO.	QTY USED	PART DESCRIPTION
1.	130-6330	1	Comp, Flange Water	12.	185-6957	1	Washer, Spring
2.	130-6331	1	Flange, Water	13.	503-2553	1	Pipe, Water Return
3.	130-6333	1	Flange, Water	14.	185-6722	1	Clamp, Hose
4.	505-2252	1	Plug	15.	503-2552	1	Clamp, Hose
5.	800-6331	2	Bolt, Flange	16.	185-7298	1	Cover, Thermostat
6.	800-6332	1	Bolt, Flange	17.	185-6004	1	Gasket, Thermostat
7.	130-6334	1	Gasket, Water Flange	18.	185-2565	2	Bolt
8.	185-2402	1	Bolt	19.	130-6329	1	Thermostat
9.	185-2106	1	Stud	20.	193-0318	1	Sender, Water Temperature
10.	800-6328	1	Bolt	21.	502-1367-05	1	Connector, Hose
11.	800-6332	1	Nut				

Thermostat Assy (Begin Spec C)



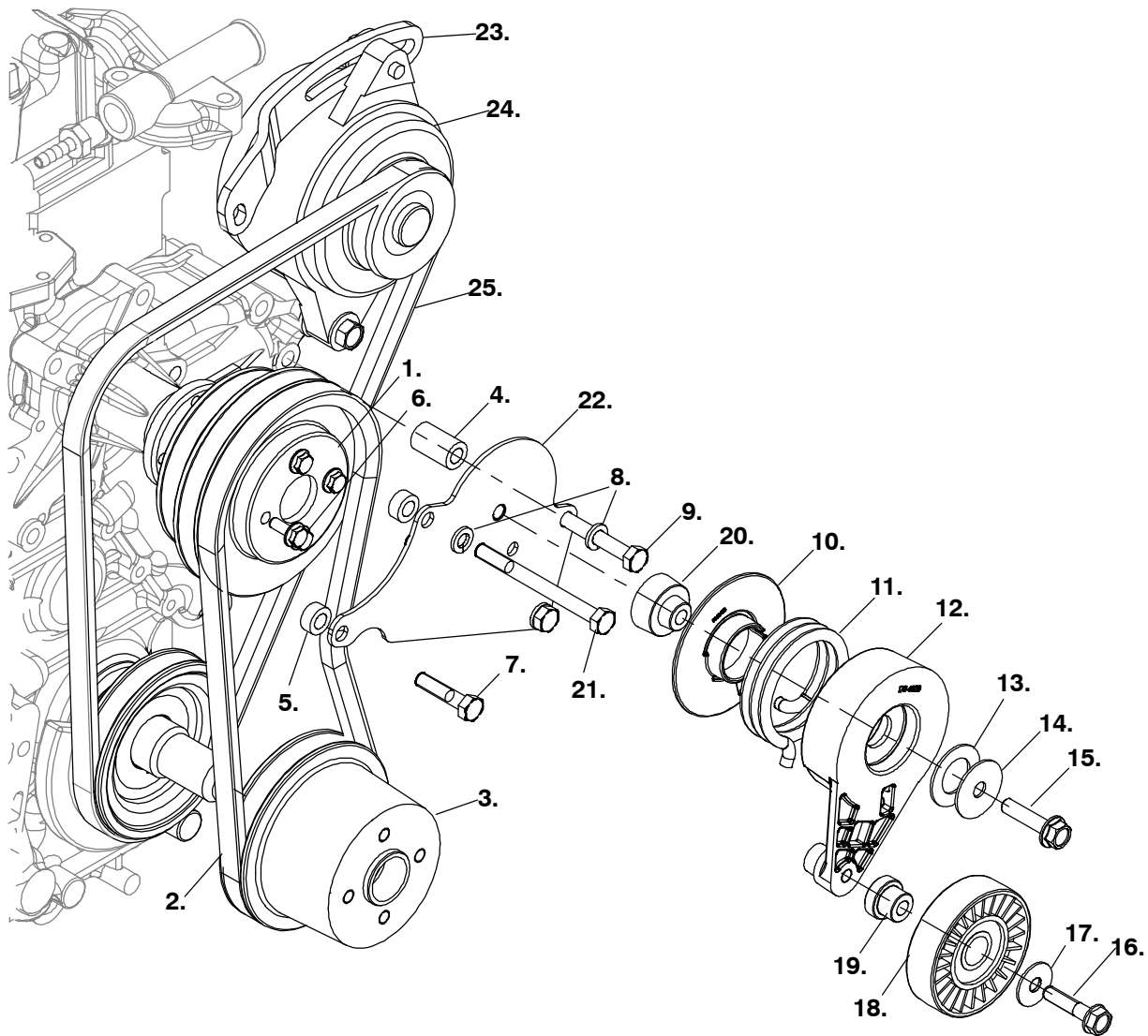
REF NO.	PART NO.	QTY USED	PART DESCRIPTION	REF NO.	PART NO.	QTY USED	PART DESCRIPTION
	130-6330	1	Comp, Flange Water (Includes Parts Marked * A and B)	10.	503-2553	1	Pipe, Water Return
1.	505-2252	1	*Plug	11.	503-3135	1	Clamp, Hose
2.	130-6331	1	*Flange, Water	12.	503-2552	1	Clamp, Hose
3.	800-6332	1	*Bolt, Flange	13.	130-6322-02	1	Cover, Thermostat
4.	130-6334	1	Gasket, Water Flange	14.	185-6004	1	Gasket, Thermostat
5.	185-2401	1	Bolt	15.	185-2565	2	Bolt
6.	185-2106	1	Stud	16.	130-6329	1	Thermostat
7.	800-6328	1	Bolt	17.	193-0318	1	Sender, Water Temperature
8.	185-2367	1	Nut	18.	502-1367-05	1	Connector, Hose
9.	185-6957	1	Washer, Spring	19.	800-6331	2	Bolt, Flange

Pulley System



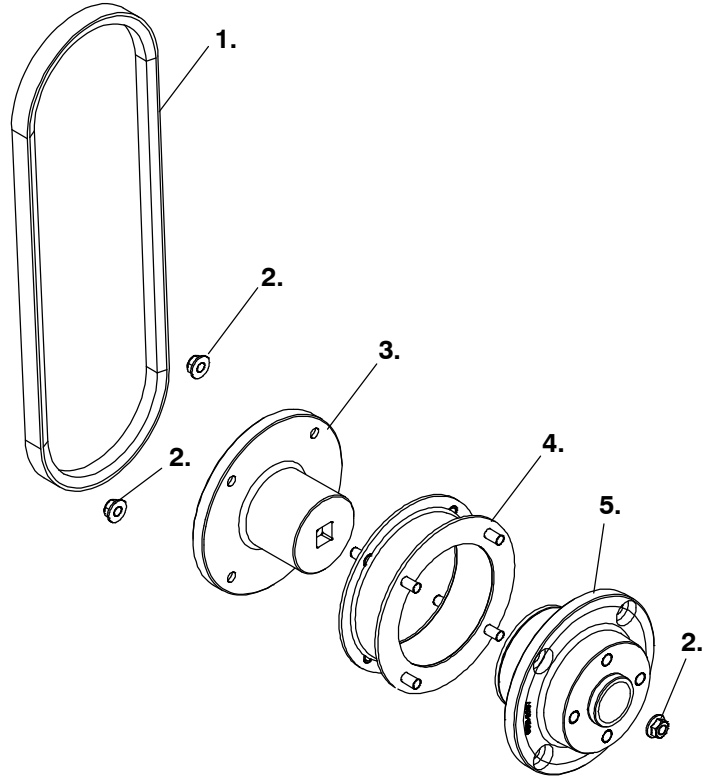
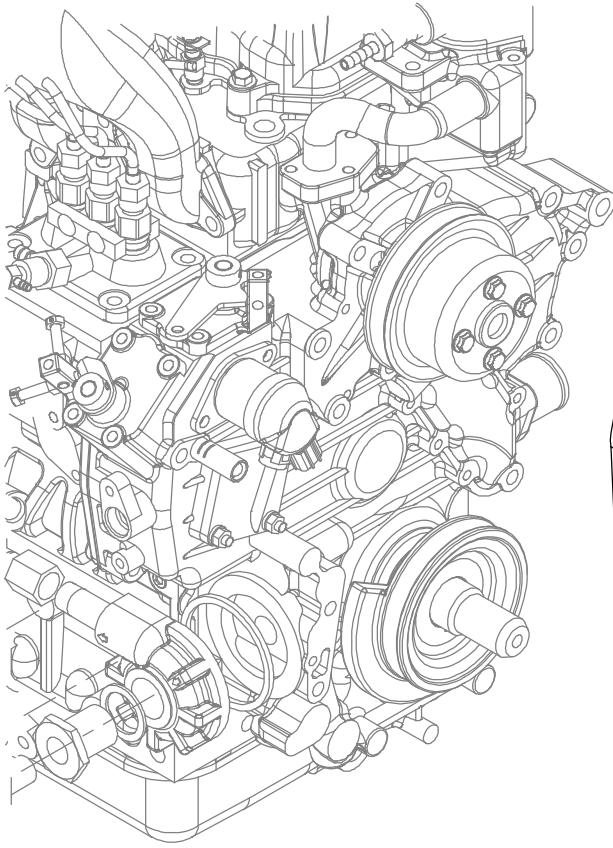
REF NO.	PART NO.	QTY USED	PART DESCRIPTION
1.	512-0293	1	Pulley, Fan Drive
2.	185-5905	1	Key, Feather

Pulley System (Spec A)



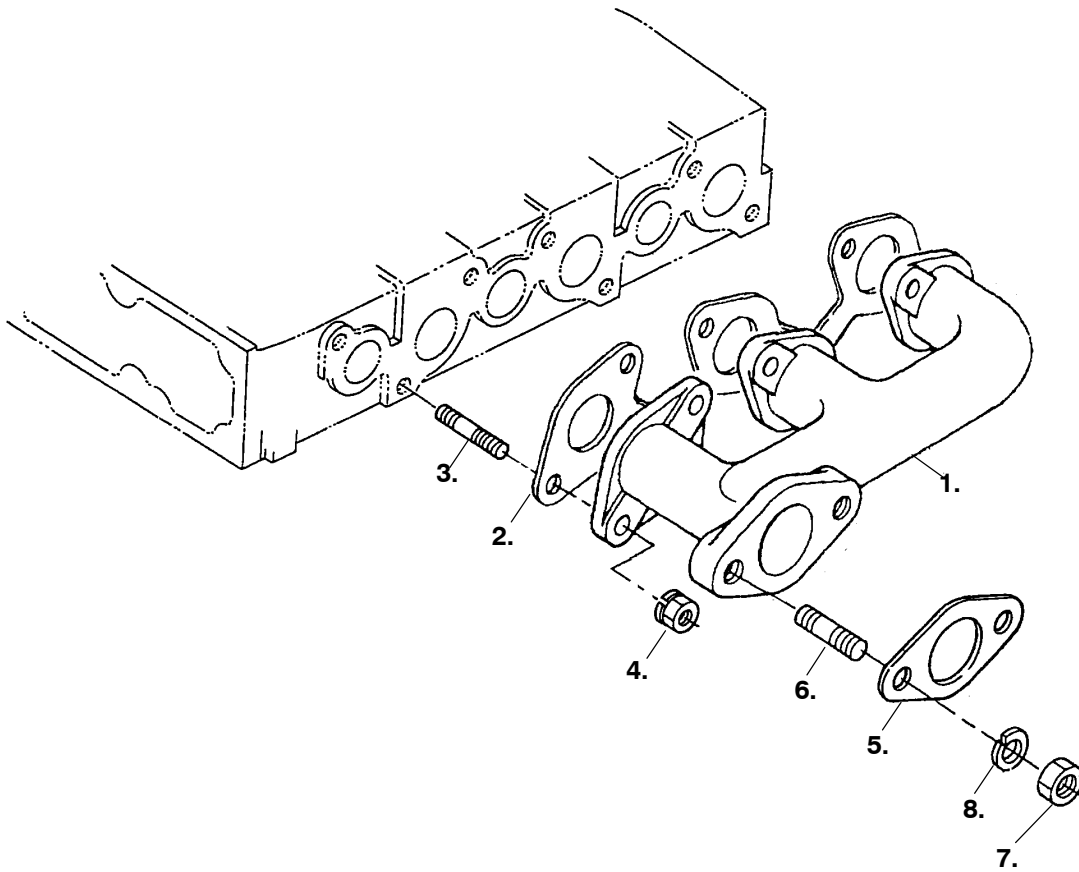
REF NO.	PART NO.	QTY USED	PART DESCRIPTION	REF NO.	PART NO.	QTY USED	PART DESCRIPTION
1.	512-0276	1	Pulley, Water Pump	15.	815-0954-05	1	Screw, Flange Head Mach (M8 x 35mm)
2.	511-0214	1	Belt, Drive, Water Pump	16.	800-0052	1	*Screw, Thread Form (M8 x 1.25 x 35mm)
3.	512-0279	1	Assy, Coupling	17.	526-2120	1	Washer, Flat (5/16")
4.	512-0287-02	2	Bushing, Tensioner	18.	512-0199	1	*Pulley, Tensioner
5.	512-0287-01	2	Bushing, Tensioner	19.	192-0451	1	*Hub, Bearing Pulley
6.	821-2033	4	Screw, Locking Head Flange (M6 x 1 x 16mm)	20.	192-0452	1	Hub, Bearing Tensioner
7.	800-2060	1	Screw, Hex Head Cap (M8 x 1.25 x 35mm)	21.	800-2071	1	Screw, Hex Head Cap (M8 x 1.25 x 90mm)
8.	850-2008	4	Washer, Locking Split (M8)	22.	512-0283-02	1	Bracket, Tensioner
9.	800-2072	2	Screw, Hex Head Cap (M8 x 1.25 x 100mm)	23.	191-2378	1	Bracket, Alternator
10.	190-0754	1	Bushing, Tensioner	24.	191-2377	1	Alternator
11.	190-0753	1	Spring, Tensioner	25.	511-0218	1	Belt, Drive
12.	512-0316	1	Arm, Tensioner				
13.	190-0759	1	Washer, Tensioner				
14.	526-0461	1	Washer, Flat (M9 x 34mm)				
							* - Parts included in Tensioner Arm Assembly

Pulley System (Begin Spec B)



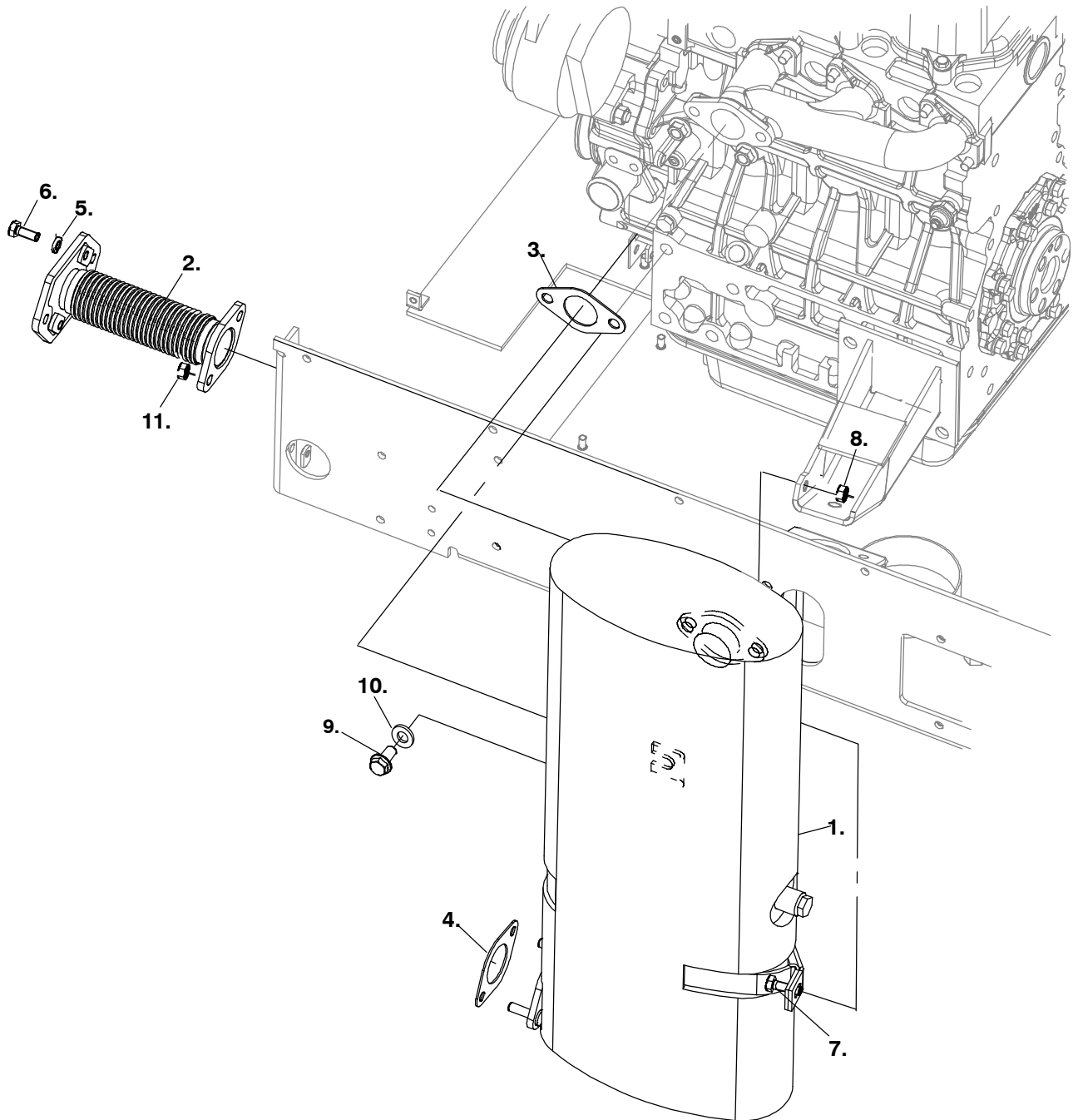
REF NO.	PART NO.	QTY USED	PART DESCRIPTION
1.	511-0219	1	Belt, Drive
2.	870-2065-02	8	Nut, Hex Flange (M6)
3.	512-0294	1	Hub, Coupling
4.	512-0274	1	Coupling, Assy (Includes, Flange Coupling)
5.	512-0302	1	Hub, Coupling (Includes Bearing Sleeve and Hub Coupling)

Exhaust Manifold



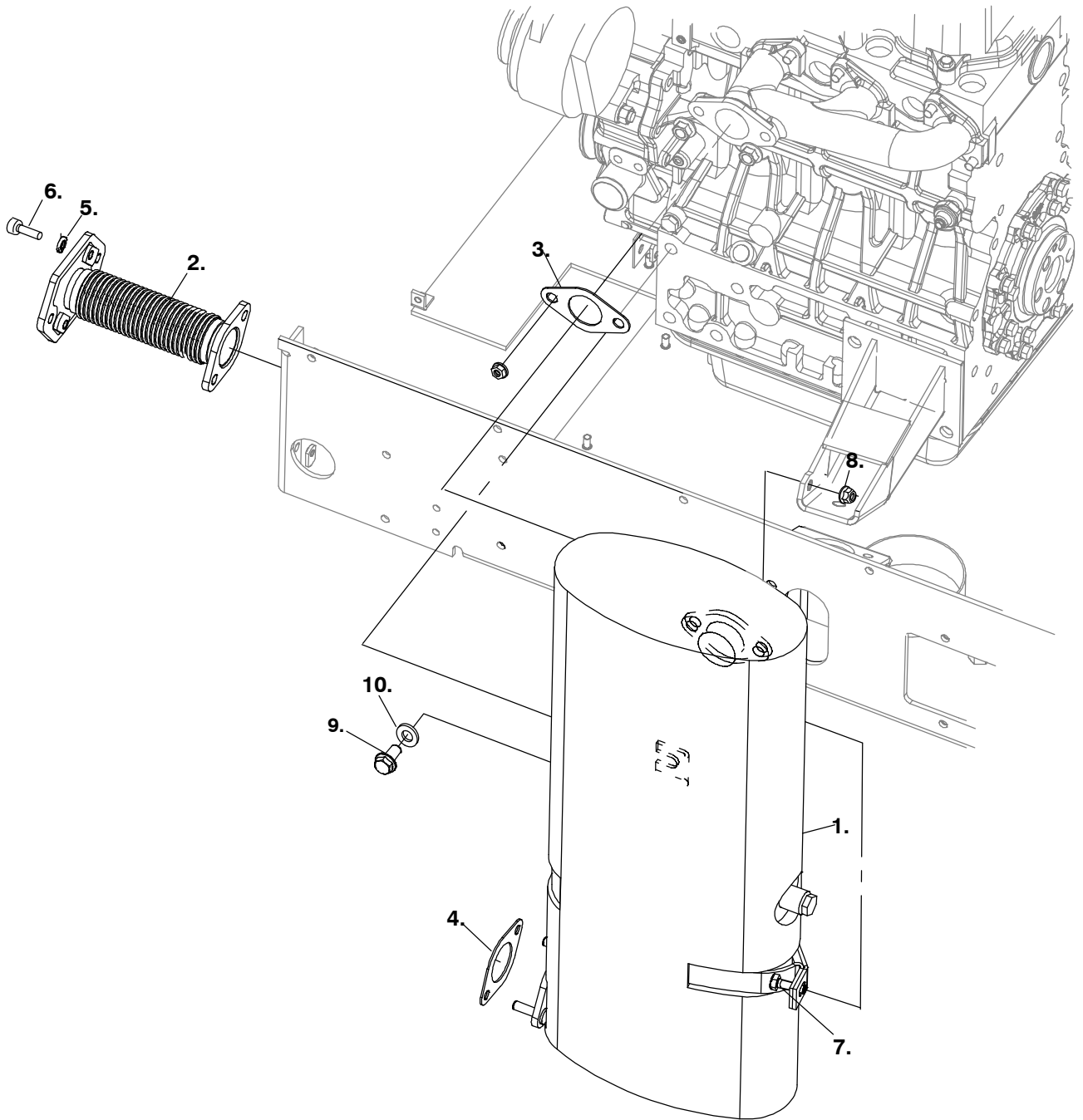
REF NO.	PART NO.	QTY USED	PART DESCRIPTION	REF NO.	PART NO.	QTY USED	PART DESCRIPTION
1.	154-3288	1	Manifold, Exhaust	6.	520-2697	2	Stud
2.	154-3189	1	Gasket, Exhaust Manifold	7.	185-5445	2	Nut,
3.	185-2106	6	Stud	8.	185-6785	2	Washer, Plain
4.	860-2136	6	Nut				
5.	185-6848	1	Gasket, Exhaust Out				

Exhaust System (Spec A-B)



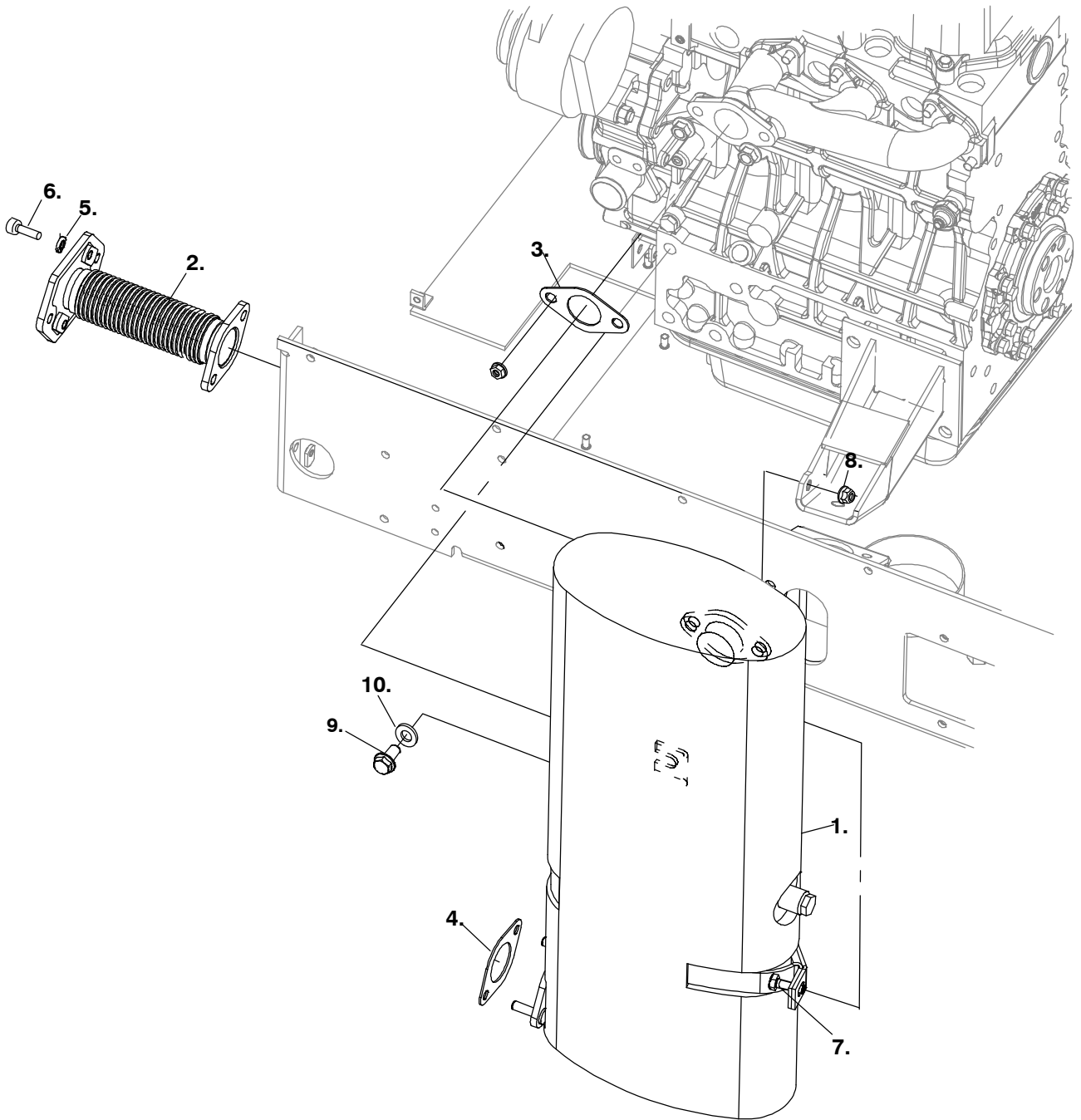
REF NO.	PART NO.	QTY USED	PART DESCRIPTION	REF NO.	PART NO.	QTY USED	PART DESCRIPTION
1.	155-4411	1	Muffler	8.	870-2055	1	Nut, Locking Flange Head (M8 x 1.25mm)
2.	154-3033	1	Pipe, Flex Exhaust	9.	800-3033	1	Screw, Hex Head Cap (M12 x 1.25 x 25mm)
3.	185-6848	1	Gasket, Exhaust Manifold	10.	526-0399-64	1	Washer, Flat
4.	154-2800	1	Gasket, Exhaust Manifold	11.	870-2065-03	2	Nut, Hex Flange
5.	850-2008	2	Washer, Split Locking (M8)				
6.	800-2057	6	Screw, Hex Head Cap (M8 x 1.25 x 20mm)				
7.	815-0954-03	1	Screw, Hex Flanged Head (M8 x 1.25 x 25mm)				

Exhaust System (Spec C)



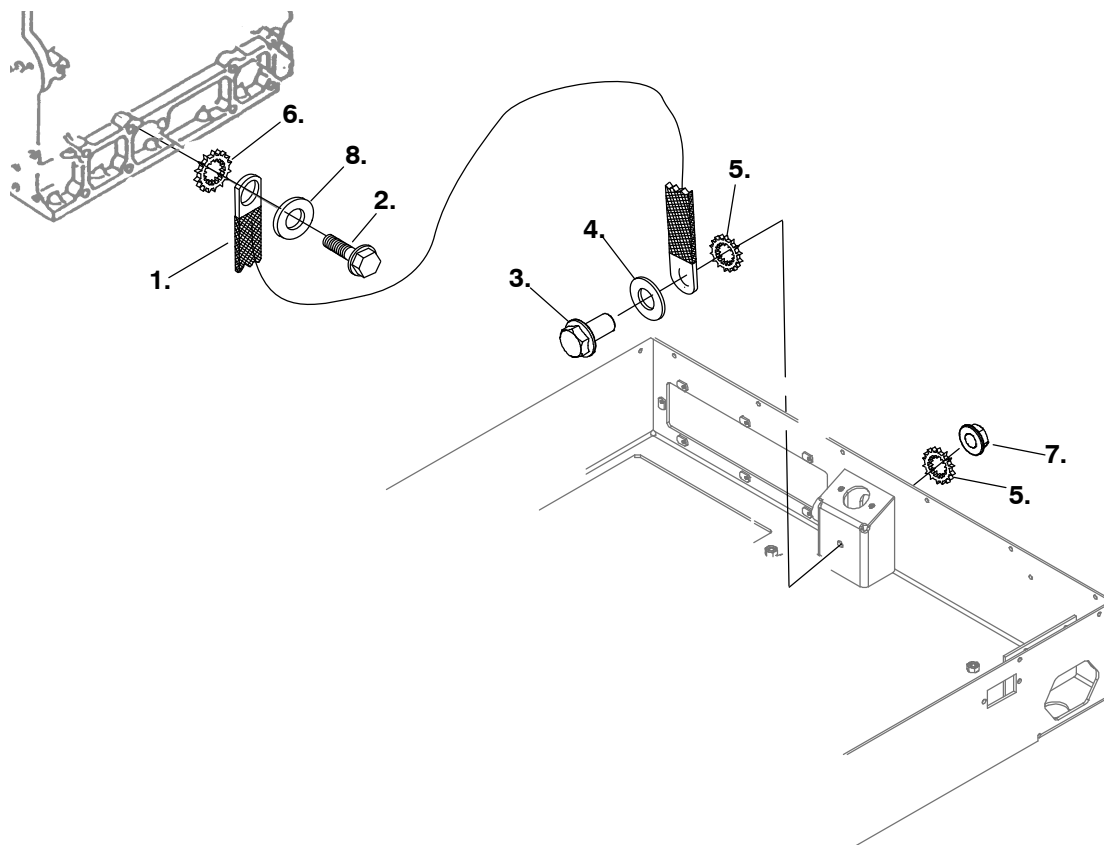
REF NO.	PART NO.	QTY USED	PART DESCRIPTION	REF NO.	PART NO.	QTY USED	PART DESCRIPTION
1.	155-4662	1	Muffler	7.	815-0954-03	1	Screw, Hex Flanged Head (M8 x 1.25 x 25mm)
2.	154-3033	1	Pipe, Flex Exhaust	8.	870-2055	1	Nut, Locking Flange Head (M8 x 1.25mm)
3.	185-6848	1	Gasket, Exhaust Manifold	9.	800-3033	1	Screw, Hex Head Cap (M12 x 1.25 x 25mm)
4.	154-2800	1	Gasket, Exhaust Manifold	10.	526-0399-64	1	Washer, Flat
5.	850-2008	4	Washer, Split Locking (M8)				
6.	725-1051	4	Screw, Hex Head Cap (M8 x 1.25 x 20mm)				

Exhaust System (Begin Spec D)



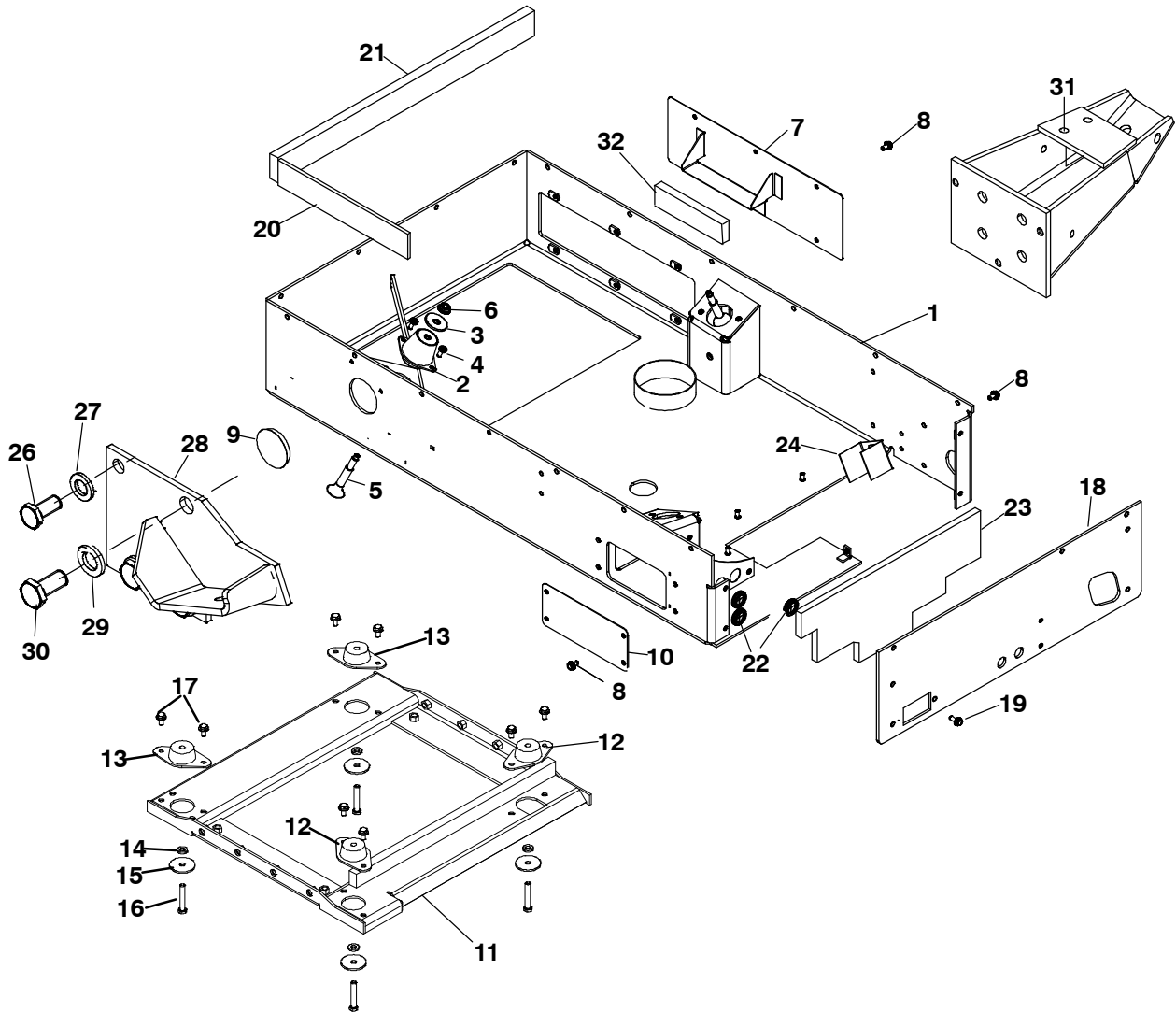
REF NO.	PART NO.	QTY USED	PART DESCRIPTION	REF NO.	PART NO.	QTY USED	PART DESCRIPTION
1.	155-4662	1	Muffler	6.	725-1051	4	Screw, Hex Head Cap (M8 x 1.25 x 20mm)
2.	154-3238	1	Pipe, Flex Exhaust	7.	815-0954-03	1	Screw, Hex Flanged Head (M8 x 1.25 x 25mm)
3.	185-6848	1	Gasket, Exhaust Manifold				
4.	154-2800	1	Gasket, Exhaust Manifold				
5.	850-2008	4	Washer, Split Locking (M8)				

Ground System



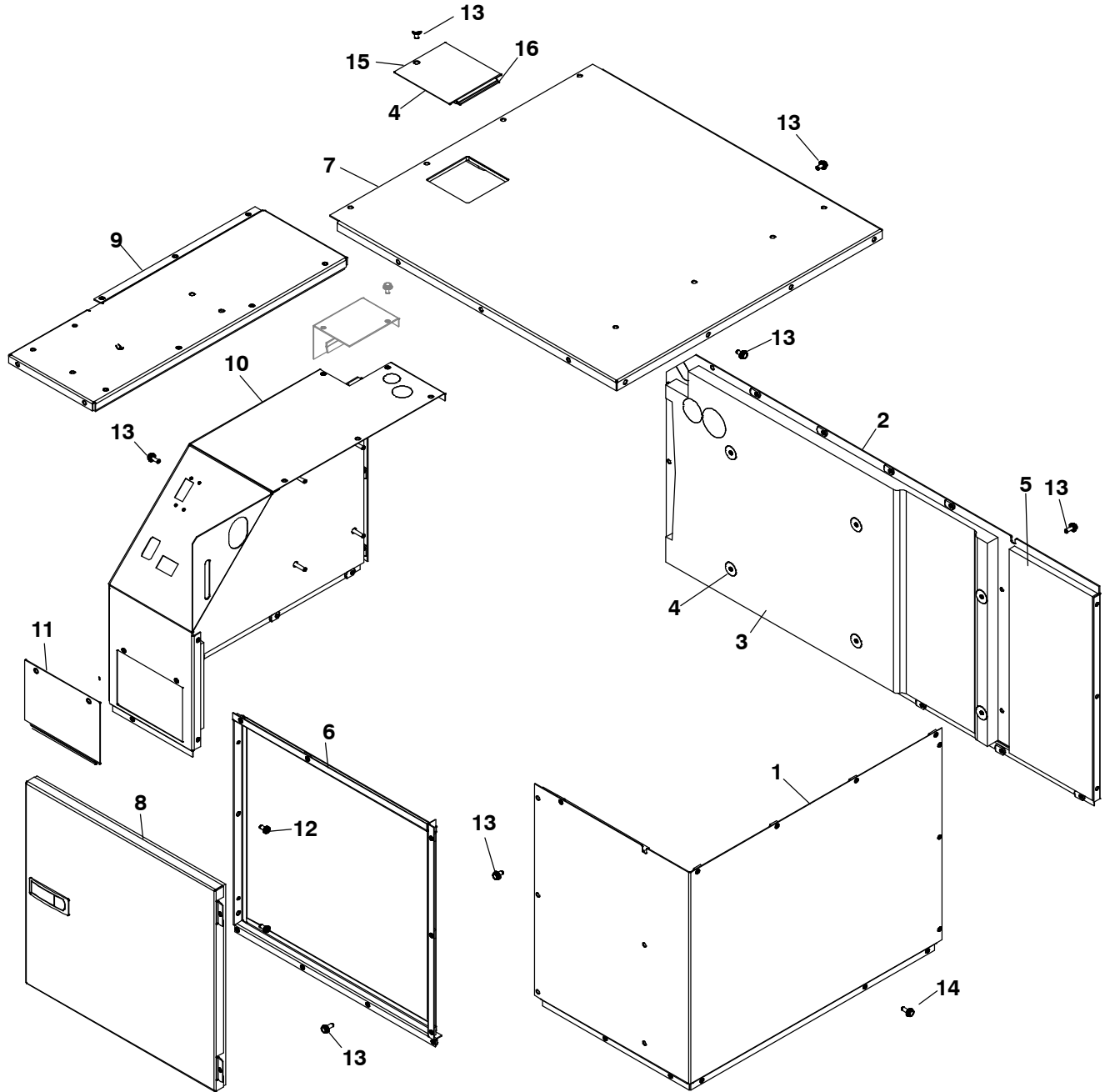
REF NO.	PART NO.	QTY USED	PART DESCRIPTION	REF NO.	PART NO.	QTY USED	PART DESCRIPTION
1.	337-0090	1	Strap, Electrical	5.	856-0010	2	Washer, EIT Locking
2.	800-3031	1	Screw, Hex Head Cap (M12 x 1.25 x 20mm)	6.	856-0013	1	Washer, EIT Locking
3.	821-2061	1	Screw, Locking Head Flange (M10 x 25mm)	7.	870-2056	1	Nut, Locking Flange (M10 x 1.5mm)
4.	526-2120	1	Washer, Flat (M10)	8.	526-2140	1	Washer, Flat (M12)

Mounting System



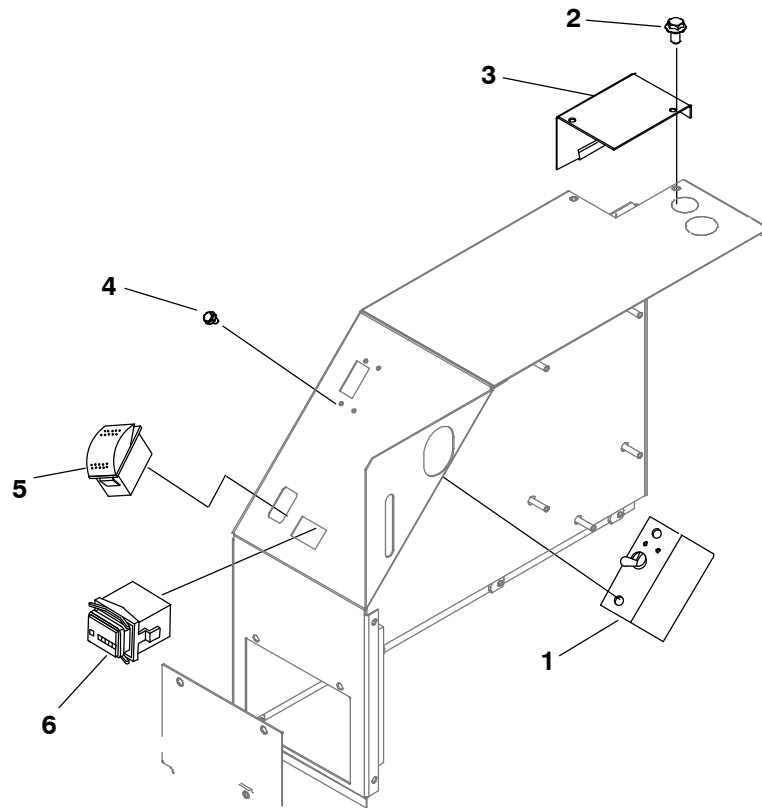
REF NO.	PART NO.	QTY USED	PART DESCRIPTION	REF NO.	PART NO.	QTY USED	PART DESCRIPTION
1			Assy, Drip Pan				(3/8-16 x .75")
	403-5382-03	1	Spec A	17	821-2045	8	Screw, Lock Head Flange
	403-6072-02	1	Begin Spec B	18	403-5520-02	1	End, Cap Skid
2	402-0680-03	3	Isolator, Engine	19	821-2096-03	4	Screw, Locking Flange
3	526-0014	4	*Washer, Flat (7/16")	20	A041A768	1	Seal, Radiator
4	821-2032	6	Screw, Locking Head	21	130-6250	1	Seal, Radiator
			(M6 x 1 x 12mm)	22	508-0071	4	Grommet
5	815-0861	3	Screw, Isolator Mount	23	405-8284	1	Insulation, Outlet
6	870-2056	4	Nut, Lock Flange	24	134-5341-02	1	Vane, Air
			(M10 x 1.5mm)	25	405-8519	1	Seal, Pan
7	403-5519-02	1	Mounting, Radiator	26	800-3030	1	Screw, Hex Head Cap
8	821-2096-02	12	Screw, Lock Flange				(M10 x 1.25 x 20mm)
			(M6 x 1 x 12mm)	27	526-2120	1	Washer, Flat (M10)
9	517-0138-09	1	Plug, Hole	28	403-5359-02	1	Bracket, Engine (Front Assy)
10	149-2734-02	1	Cover, Fuel Pump	29	526-0399-64	8	Washer, Flat (M12)
11	403-5552-02	1	Assy, Frame (Secondary Mounting)	30	800-3033	8	Screw, Hex Head Cap
12	402-0728-01	2	Isolator, Vibration				(M12 x 1.25 x 25mm)
13	402-0728-02	2	Isolator, Vibration	31	403-5356-02	1	Bracket, Engine (Back Assy)
14	526-0174	4	Washer, Flat (10 Ga)	32	A041A770	1	Seal, Radiator
15	526-0324	4	Washer, Flat (3/8)				
16	800-0055	4	Screw, Hex Head Cap				

Housing



REF NO.	PART NO.	QTY USED	PART DESCRIPTION	REF NO.	PART NO.	QTY USED	PART DESCRIPTION
1	405-8252	1	Panel, Enclosure	10	405-8294	1	Panel, End Cap
2	405-8249-02	1	Panel, Enclosure	11	212-1308-02	1	Cover, Brush Block
3	405-8250	1	Insulation, Panel	12	823-1002-01	2	Screw, Pan Head Mach (Torx M6 x 1 x 12mm)
4	518-0581	8	Push-On	13	800-6497-01	43	Screw, Locking Flange (M6 x 1 12mm)
5	405-9147	1	Insulation, Panel	14	800-6497-02	20	Screw, Locking Flange (M6 x 1 12mm)
6	405-8352-02	1	Frame, Door	15	405-8721-02	1	Panel, Access
7	405-9821	1	Panel, Enclosure	16	405-8722	1	Insulation, Cover
8	405-5895-01	1	Assy, Door (Includes Latches and Insulation)				
9	405-9822	1	Panel, Enclosure (Top)				

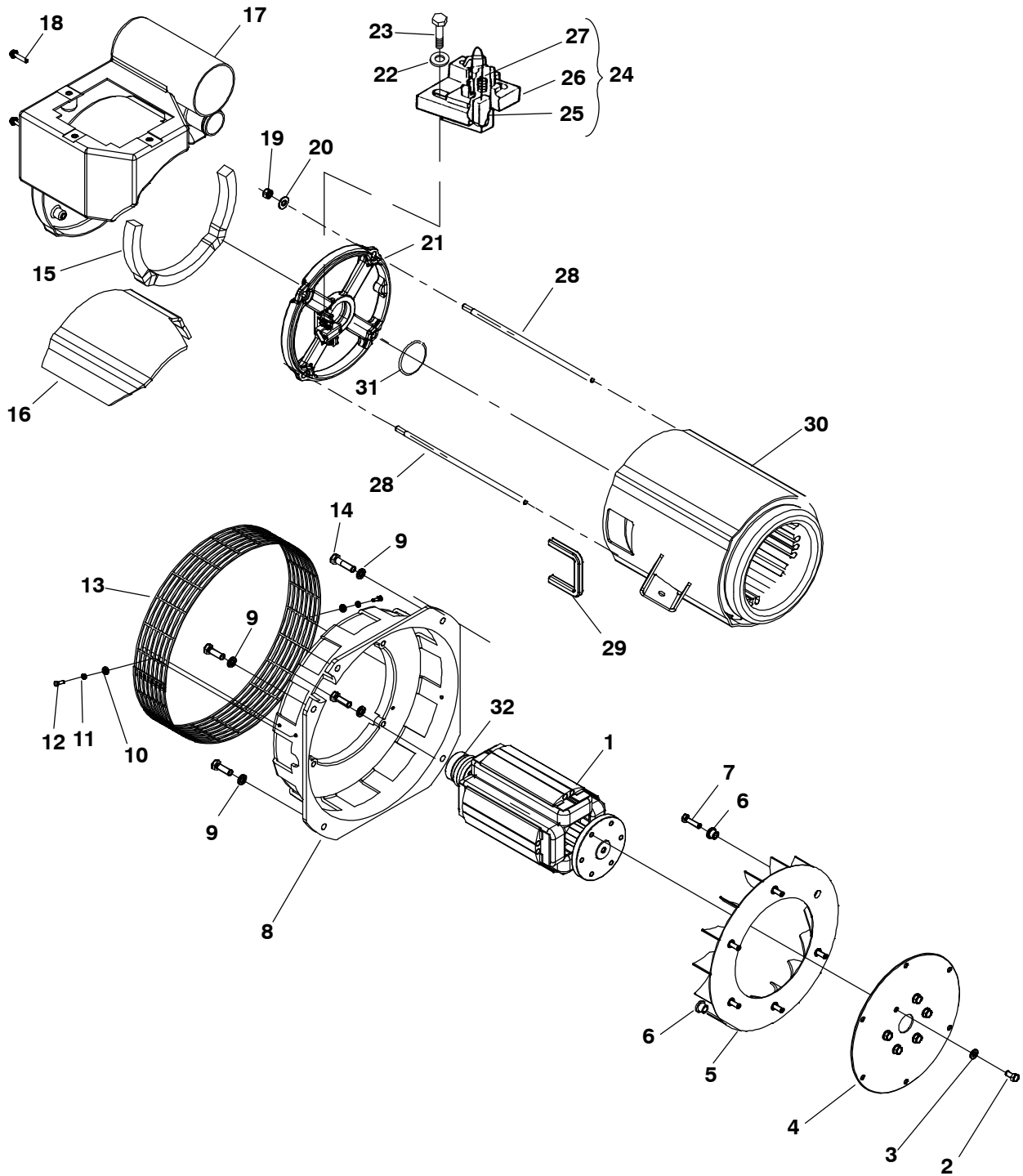
Housing End Cap



REF NO.	PART NO.	QTY USED	PART DESCRIPTION	REF NO.	PART NO.	QTY USED	PART DESCRIPTION
1	320-2441-02	1	Breaker, Circuit 45A (HDKCA)	4	815-0549	4	Screw, Pan Head (6-32 x .25")
	320-2441-03	1	50A (HDKCB)	5	308-1038	1	Switch, Rocker
2	821-2096-02	2	Screw, Lock Flange	6	302-2002	1	Meter, Hour
3	405-5380-05	1	Cover, AC				

THIS PAGE IS INTENDED TO BE BLANK

Generator



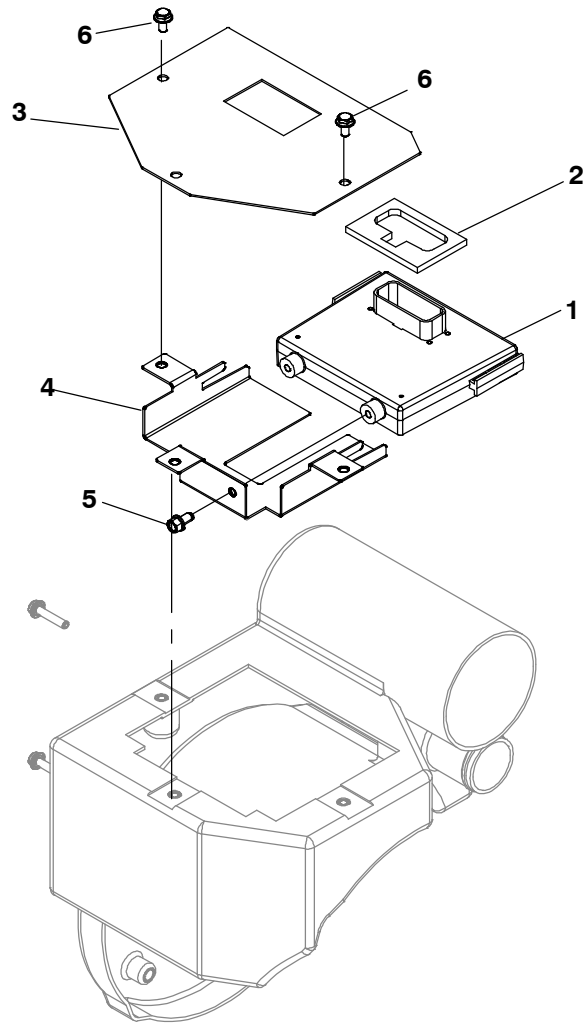
Generator

REF NO.	PART NO.	QTY USED	PART DESCRIPTION	REF NO.	PART NO.	QTY USED	PART DESCRIPTION
1			Rotor, Generator	20	526-0029	4	Washer, Flat (3/8")
	201-3549-03	1	HDKCA (142mm) (Order Generator A053L081)	21	211-0485-01	1	#End, Bell Generator
	201-3549-04	1	HDKCB (178mm) (Order Generator A053L502)	22	526-0399-56	2	#Washer, Flat (M5)
2	800-2056	6	Screw, Hex Head Cap (M8 x 1.25 x 16mm)	23	800-0309-89	2	#Screw, Hex Head Machine (M5 x 0.8 x 16)
3	526-2100	6	Washer, Flat (M8)	24	212-1285-S0	1	#Block Assy, Generator Brush (Includes Parts Marked >)
4	232-4145	1	Disc, Generator Drive	25	212-1286-S0	1	>Block, Brush
5	205-0220	1	Fan, Generator	26	214-0103	2	>Brush, Generator
6	232-3296	6	Spacer, Fan	27	212-1276-03	2	>Spring, Generator Brush Stud
7	800-2515	6	Screw, Hex Head Cap (M8 x 1.25 x 30mm)	28			
8	231-0347	1	Adapter, Generator		520-1000-03	4	HDKCA(142mm)
9	850-2010	4	Washer, Lock (M10)		520-1000-04	4	HDKCB(178mm)
10	526-2080	3	Washer, Flat (M6)	29	508-1049-04	1	Edging
11	850-2005	3	Washer, Lock (M5)	30			Stator, Generator
12	800-2006	3	Screw, Hex Head Cap (M5 x 0.8 x 14mm)		220-4649-03	1	HDKCA (142mm) (Order Generator A053L081)
13	232-3755-02	1	Guard, Fan		220-4649-01	1	HDKCB (178mm) (Order Generator A053L502)
14	800-2089	1	Screw, Hex Head Cap (M10 x 1.5 x 40mm)	31			O'Ring
15	405-7774	1	Insulation Cover (Endbell)		509-0196	1	HDKCA (142mm)
16	405-7773	1	Insulation Cover (Generator)		509-0420	1	HDKCB(178mm)
17	234-1020	1	Cover, Generator Intake	32	510-0185	1	Bearing, Rotor
18	821-2096-06	4	Screw, Locking Flange (M6 x1 x 30mm)				
19	862-0003	4	Nut, Hex (3/8-16)				

- Parts Included in Endbell Assy.

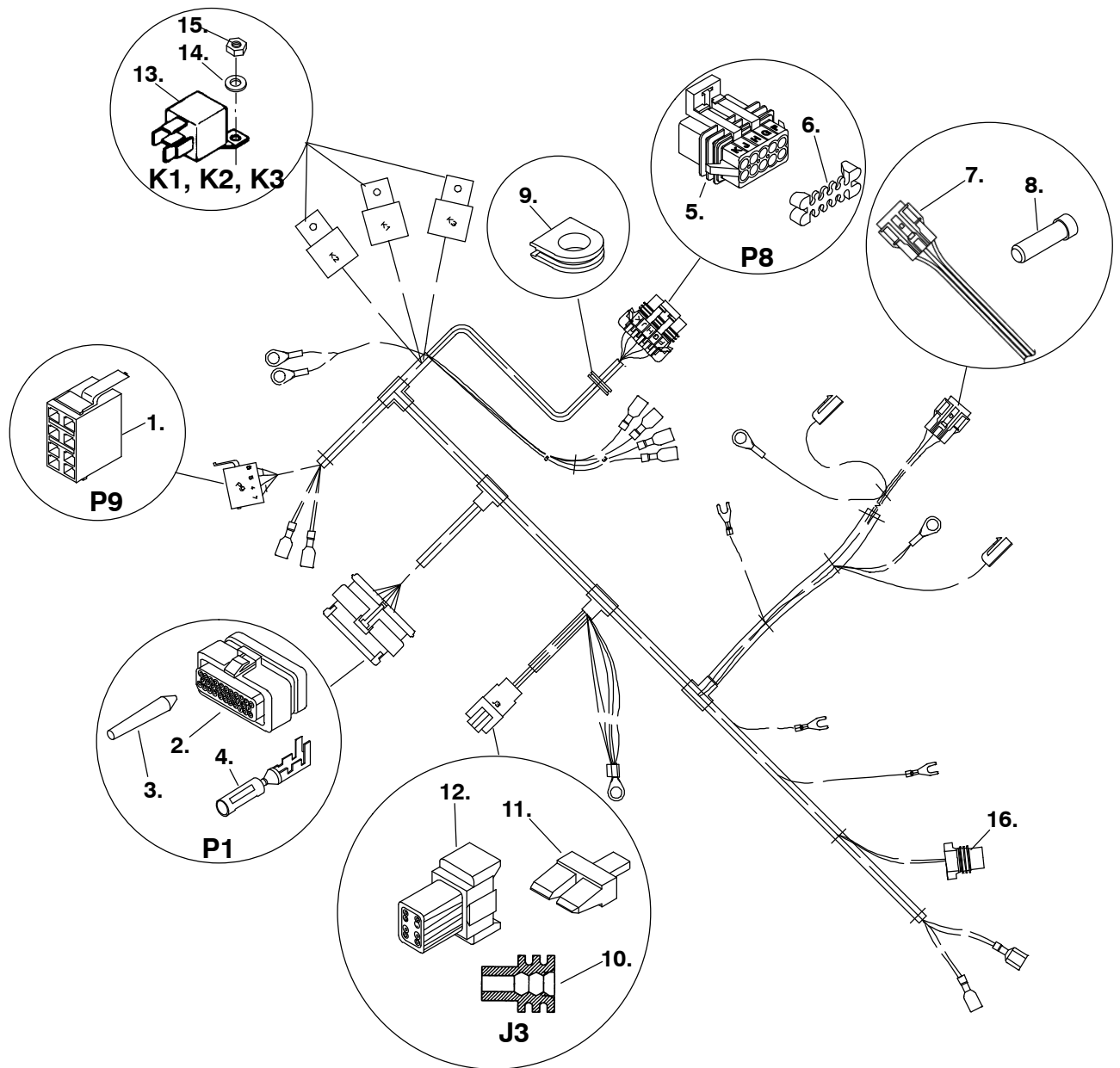
> - Parts Included in Generator Brush Block Assy.

Control



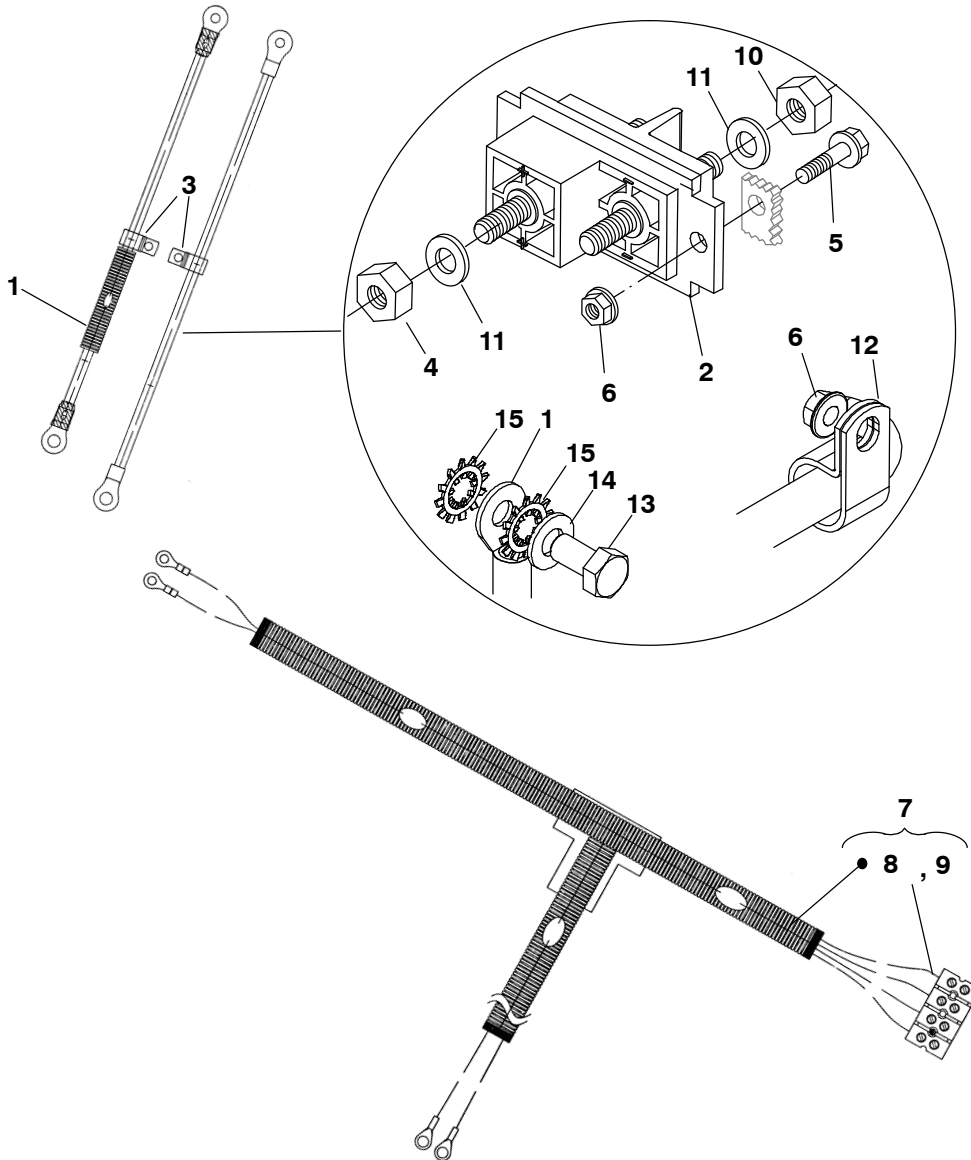
REF NO.	PART NO.	QTY USED	PART DESCRIPTION	REF NO.	PART NO.	QTY USED	PART DESCRIPTION
1	300-5961	1	PCB (Control)	4	319-5199-03	1	Bracket, Control
2	405-7808	1	Insulation, Cover Plug	5	815-0943-02	1	Screw, Hex Thread Form
3	319-5200-03	1	Cover, Control (Generator Intake)	6	821-2096-02	3	Screw, Locking Flange (M6 x 12mm)

Engine Harness



REF NO.	PART NO.	QTY USED	PART DESCRIPTION	REF NO.	PART NO.	QTY USED	PART DESCRIPTION
	338-4461	1	Harness, Engine	9.	508-1105	1	Grommet
1.	308-1019	1	Connector, Switch (P9)	10.	323-1708	AR	Seal, Cable
2.	323-1819-01	1	Connector, Plug (35 Pin) (P1)	11.	323-1543	1	Wedge (J3)
3.	323-1615	5	Plug, Cavity (P1)	12.	323-1542	1	Connector (8 Pin) (J3)
4.	323-1614-01	AR	Socket, Terminal (P1)	13.	A040G405	3	Relay (K1 and K2)
5.	323-1711	1	Connector, Plug (10Pin) (P8)	14.	526-0003	3	Washer
6.	323-1719	1	Lock, Housing	15.	860-2005	3	Nut, Lock Flange (M4 x 1)
7.	323-1773	AR	Connector, Alt	16.	323-2166	1	Connector, Receptacle
8.	323-1591	2	Plug, Cavity				

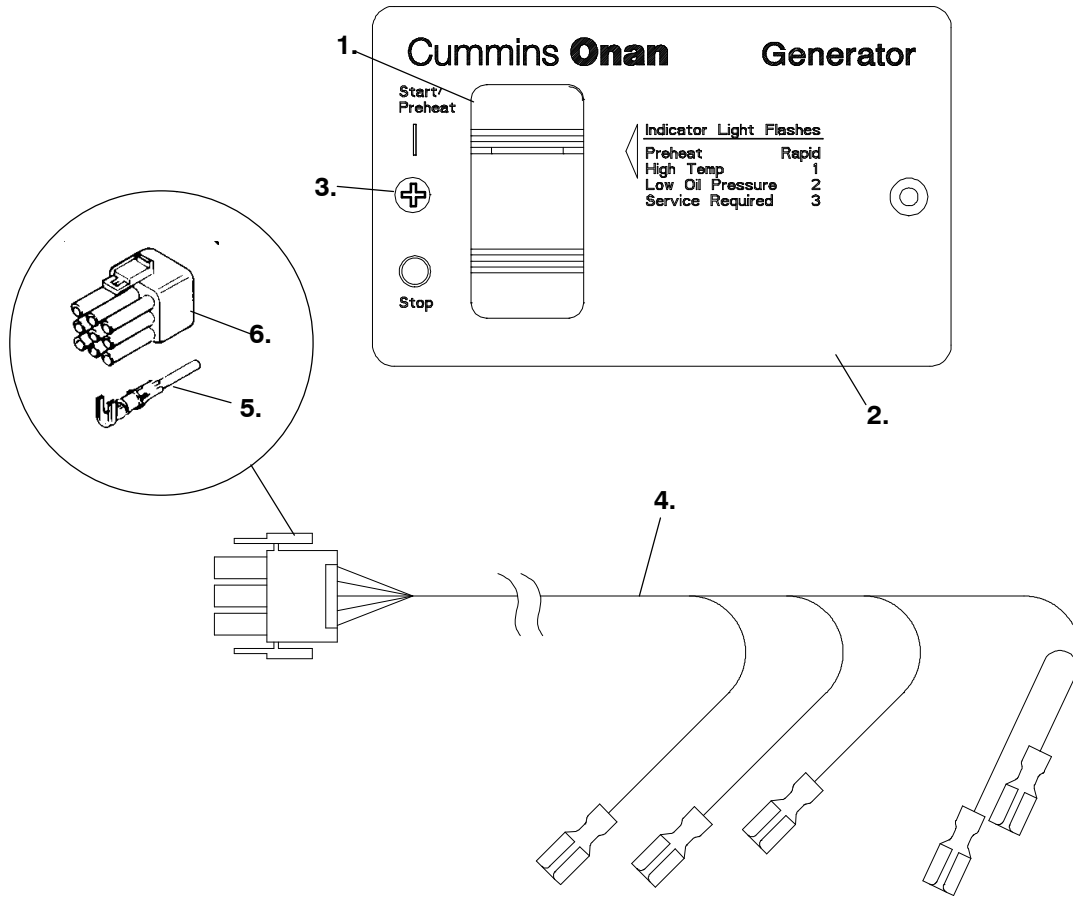
Battery/AC Harness



REF NO.	PART NO.	QTY USED	PART DESCRIPTION	REF NO.	PART NO.	QTY USED	PART DESCRIPTION
1	338-4498	1	Harness, Wiring (Includes Parts Marked *)	10	871-0025	2	Nut, Hex Brass (5/16-18)
2	332-3408	1	*Block, Terminal (TB1)	11	526-0054	4	Washer, Flat (5/16")
3	332-1554	2	*Clamp, Insulated Loop	12	332-1356	1	Clamp, Insulated Loop
4	862-0015	2	*Nut, Hex (5/16-18)	13	800-3004	1	Screw, Hex Head (M10 x 1.25 x 20mm)
5	821-2096-03	2	Screw, Lock Flange (M6 x 1 x 16mm)	14	526-2120	1	Washer, Flat
6	870-2054	3	Nut, Lock Flange (M6 x 1)	15	856-0010	2	Washer, Eit
7	338-4384	1	Harness, AC (Includes AC Terminal Block)				
8	332-3531-03	1	Block, AC Terminal (TB2)				
9	812-0070	2	Screw, Round Head Machine (6-32 x 1-1/4")				

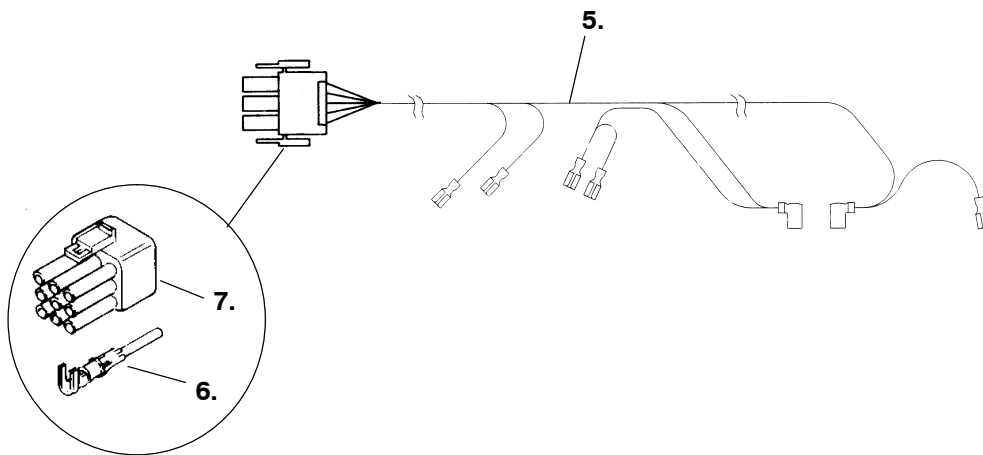
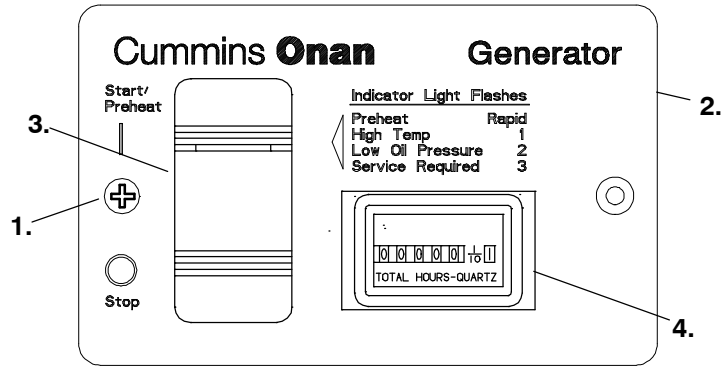
* - Parts Included in Battery Wiring Harness.

Remote Control Panel



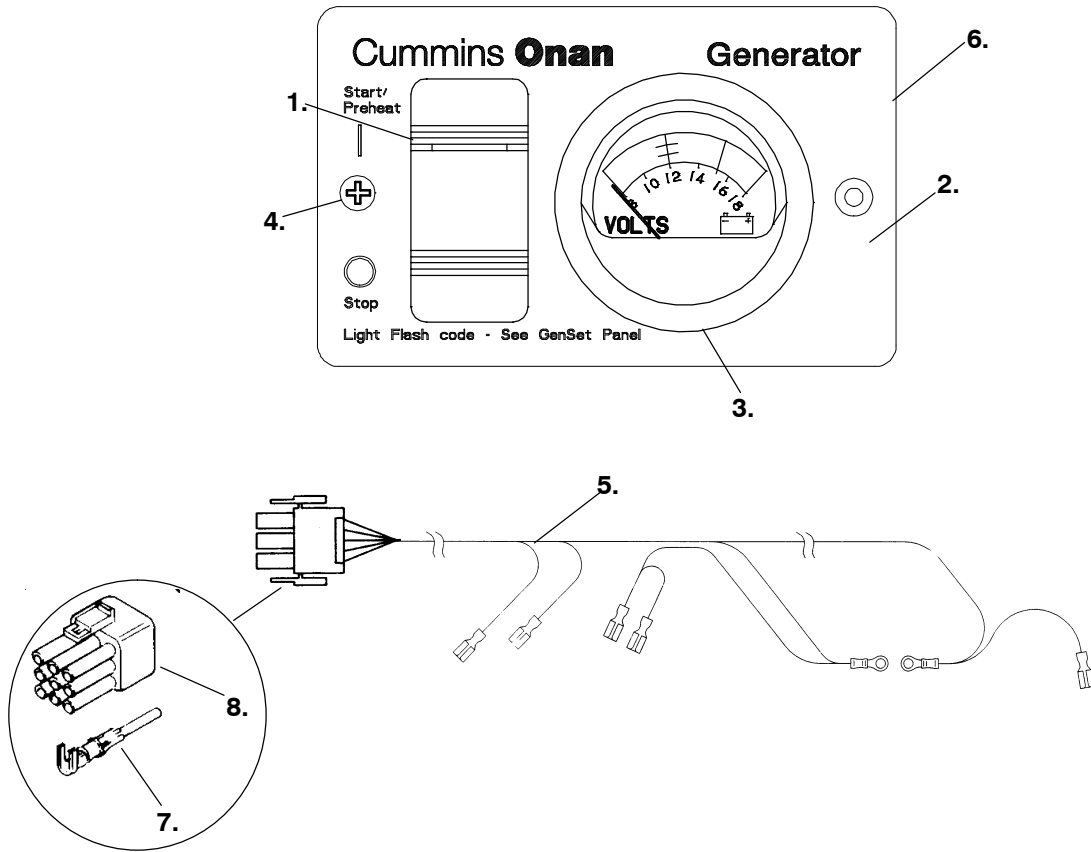
REF NO.	PART NO.	QTY USED	PART DESCRIPTION	REF NO.	PART NO.	QTY USED	PART DESCRIPTION
	300-4942	1	Kit, Remote Panel	4.	338-3812	1	Harness, Remote Panel
1.	308-1062	1	Switch, Rocker (S11)	5.	323-1199	4	Pin, Contact
2.	319-6988-01	1	Panel, Remote (Includes Label)	6.	323-1291	1	Plug (9 Pin)
3.	815-0910	2	Screw, Wood (#6 x 1)				

Remote Switch/Hourmeter Panel



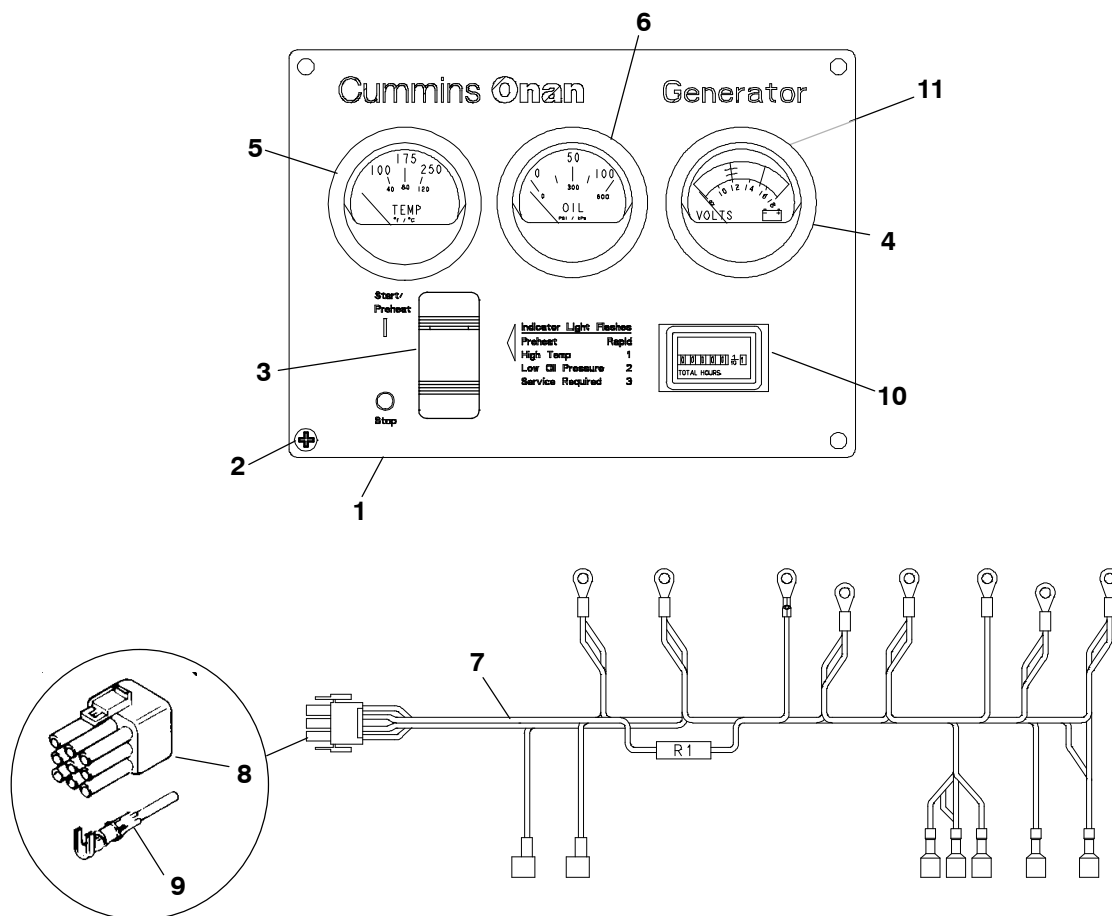
REF NO.	PART NO.	QTY USED	PART DESCRIPTION	REF NO.	PART NO.	QTY USED	PART DESCRIPTION
	300-4943	1	Kit, Switch/Hourmeter Remote Panel	4.	302-2002	1	Hourmeter
1.	815-0910	2	Screw, Wood Mounting (#6 x 1)	5.	338-3475	1	Harness, Remote Panel (Includes Pins and Plug)
2.	319-6988-02	1	Panel, Printed	6.	323-1199	4	Pin, Contact
3.	308-1062	1	Switch, Rocker	7.	323-1291	1	Plug (9 Pin)

Remote Switch/Voltmeter Panel



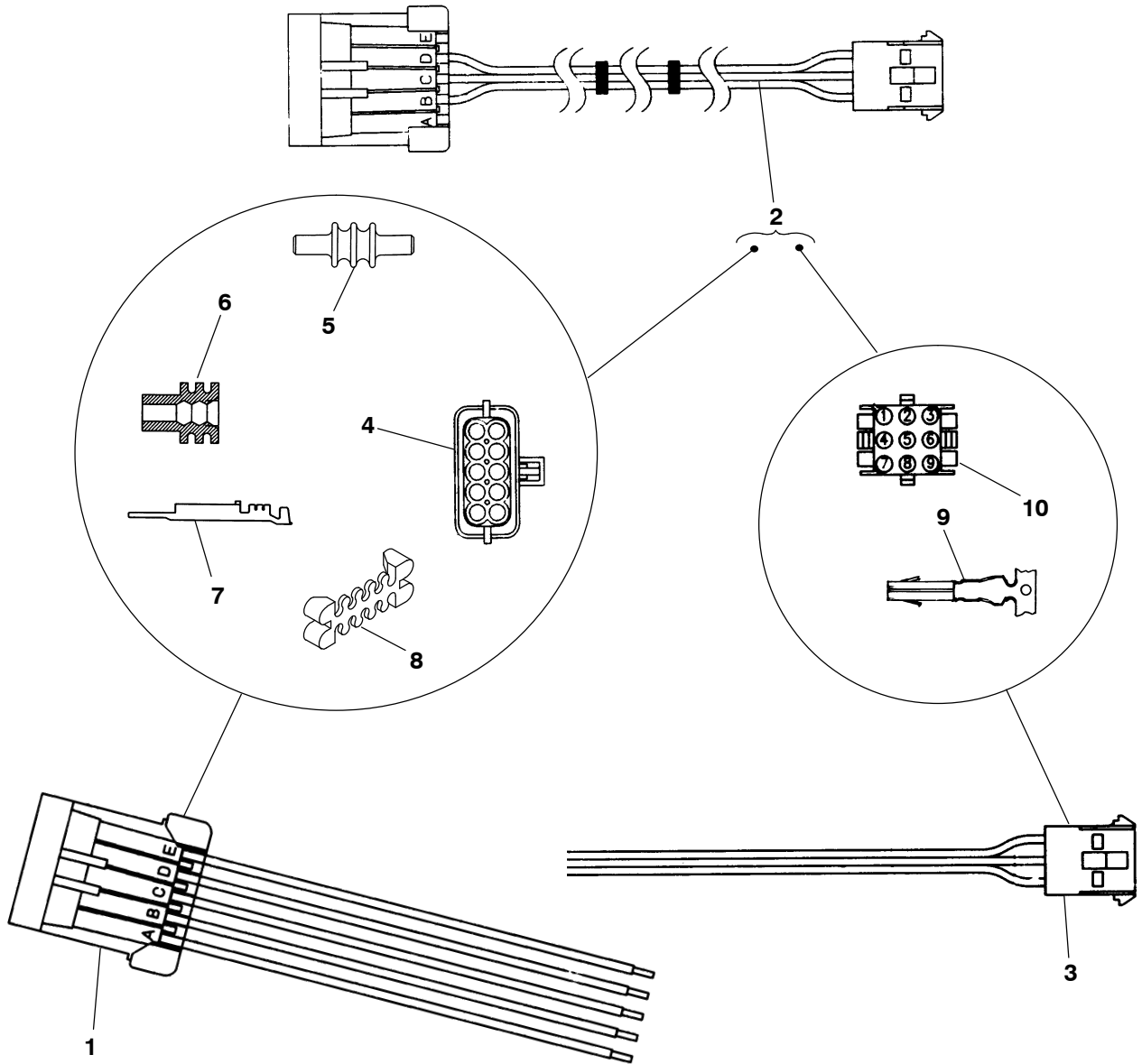
REF NO.	PART NO.	QTY USED	PART DESCRIPTION	REF NO.	PART NO.	QTY USED	PART DESCRIPTION
	300-4944	1	Kit, Remote Switch/Voltmeter Panel	6.			Hardware, Meter Mounting
1.	308-1062	1	Switch, Rocker		526-0409	2	Washer, Nylon (3/16")
2.	319-6989-03	1	Panel, Printed		526-0049	4	Washer, Flat (#10)
3.	302-1641	1	Meter, Voltage		871-0010	4	Nut, Hex Brass Machine (#10-32)
4.	815-0910	2	Screw, Wood Mounting (#6 x 1)		850-0030	2	Washer, Lock (#10)
5.	338-3509	1	Harness, Remote Panel (Includes Pins and Plug)	7.	323-1199	4	Pin, Contact
				8.	323-1291	1	Plug (9 Pin)

Remote Gauge Panel



REF NO.	PART NO.	QTY USED	PART DESCRIPTION	REF NO.	PART NO.	QTY USED	PART DESCRIPTION
	300-5027	1	Kit, Remote Gauge Panel	8	323-1291	1	Plug (9 Pin)
1	319-6993	1	Panel, w /Decal	9	323-1199	8	Pin, Contact
2	808-0023	4	Screw, Pan Head Sheet Metal Mounting (#8 x 1/2")	10	302-2002	1	Hourmeter
3	308-1062	1	Switch, Rocker (SPDT)	11			Hardware, Meter Mounting
4	302-1641	1	Meter, Voltage		526-0409	8	Washer, Nylon (3/16")
5	193-0351	1	Gauge, Water Temperature		526-0049	16	Washer, Flat (#10)
6	193-0352	1	Gauge, Oil Pressure		871-0010	16	Nut, Hex Brass Machine (#10-32)
7	338-3637	1	Harness, Remote Panel (Includes Plug and Pins)		850-0030	8	Washer, Lock (#10)

Remote Harnesses



REF NO.	PART NO.	QTY USED	PART DESCRIPTION	REF NO.	PART NO.	QTY USED	PART DESCRIPTION
1	300-4947	1	Harness, Remote (Includes Parts Marked *)	6	323-1708	8	+*Seal, Cable
2			Harness, Remote Panel (Includes Parts Marked +)	7	323-1707	8	+*Pin, Contact
	338-3490-01	1	10'	8	323-1719	1	+*Housing, Lock
	338-3490-02	1	30'	9	323-1200	AR	+#Socket, Contact
3	338-3573	1	Harness, Adapter (Includes Parts Marked #)	10	323-1325	1	+#Cap, Connector*
4	323-1710	1	+*Connector, Receptacle	- Parts Included in Remote Harness (300-4947). + - Parts Included in Remote Panel Harness (338-3490). # - Parts Included in Adapter Harness (338-3573).			
5	323-1712	2	+*Plug, Cavity				

Labels, Miscellaneous

REF NO.	PART NO.	QTY USED	PART DESCRIPTION	REF NO.	PART NO.	QTY USED	PART DESCRIPTION
543-0018-02		1	Label, Ground				
98-8190		1	Label, Packaged (Includes Parts Marked +)				10kW
98-6476		1	+Label, Ground	98-7398-01		2	Label, Model Ident (10000)
98-7497-01		1	+Label, Warning Install	98-8192-01		1	Label, Information (Breaker 45 AMP)
98-7498-02		1	+Label, Warning Voltage	98-8767		1	Label, Logo
98-8385		1	Label, Information (Control)				12kW
98-8816		1	Label, Certification	98-7398-02		2	Label, Model Ident (12000)
98-8718		2	Label, Logo	98-8192-02		1	Label, Information (Breaker 50 AMP)
98-8720		2	Label, Logo	98-8766		1	Label, Logo
98-8333		1	Label, Emissions (Kubota)				
98-7476		1	Label, Packaged				
98-7244		1	Label, Packaged				

Numerical Index

<u>Part No.</u>	<u>Page</u>	<u>Part No.</u>	<u>Page</u>	<u>Part No.</u>	<u>Page</u>	<u>Part No.</u>	<u>Page</u>
0508-1104, 38		104-2038, 11		122-0915, 26		147-0984, 33	
098-6476, 64		104-2039, 10		122-0916, 26		149-2513, 34	
098-7244, 64		104-2040, 10		122-0918, 26		149-2726-02, 34	
098-7398-01, 64		104-2041, 11		123-2240-03, 38		149-2734-02, 50	
098-7398-02, 64		104-2042, 11		123-2253, 24		149-2790, 34	
098-7476, 64		104-2043, 11		123-2254, 24		150-2798, 33	
098-7497-01, 64		104-2044, 11		123-2261, 13		150-2800, 33	
098-7498-02, 64		104-2132, 21		123-2262, 23		150-2805, 15 , 17	
098-8190, 64		104-2172, 11		123-2263, 13		150-2836, 15 , 17	
098-8192-01, 64		105-0740, 33		123-2264, 13		150-2837, 33	
098-8192-02, 64		105-0741, 33		123-2265, 23		150-2838, 33	
098-8333, 64		105-0742, 12		123-2266, 13		150-2839, 33	
098-8385, 64		105-0773, 33		130-1872, 37		150-2840, 16	
098-8718, 64		105-0775, 12		130-4320, 38		150-2841, 16	
098-8720, 64		110-3948, 14		130-4321, 38		150-2842, 15 , 17	
098-8766, 64		110-3949, 13		130-4450-02, 38		150-2843, 18	
098-8767, 64		110-3953, 13		130-4748, 37		150-2844, 16 , 19	
098-8816, 64		110-3954, 9		130-6171, 38		150-2847, 15	
100-3909, 8		110-3987, 9		130-6247, 38		150-2848, 33	
100-3951, 8		110-4114, 9		130-6248, 38		150-2852, 16	
100-4113, 8		110-4116, 9		130-6250, 50		150-2853, 19	
101-0836, 10		110-4117, 9		130-6322-02, 41		150-2993, 33	
101-0837, 30 , 31		110-4118, 9		130-6329, 40 , 41		152-0373, 30	
101-0874, 8		110-4119, 9		130-6330, 40 , 41		152-0379, 16	
102-1523, 27		110-4120, 9		130-6331, 40 , 41		154-2800, 46 , 47 , 48	
102-1572, 27		110-4122, 14		130-6333, 40		154-3033, 46 , 47	
102-1574, 27		110-4123, 14		130-6334, 40 , 41		154-3188, 35	
103-0832, 20		112-0298, 11		130-6347, 39		154-3189, 45	
103-0833, 20		112-0299, 11		132-0444, 39		154-3238, 48	
103-0865, 19		112-0339, 11		132-0446, 39		154-3288, 45	
104-2020, 21		112-0340, 11		132-0447, 39		154-3289, 35	
104-2022, 21		112-0341, 11		132-0448, 39		155-4411, 46	
104-2029, 10		115-0509, 14		132-0449, 20		155-4662, 47 , 48	
104-2030, 11		120-1386, 26		134-5341-02, 50		181-9016, 9	
104-2031, 10		122-0476, 25		140-3050, 36		181-9034, 16 , 18	
104-2032, 10		122-0882, 25		140-3071, 36		181-9231, 23	
104-2033, 11		122-0883, 25		140-3072, 36		181-9238, 13	
104-2034, 11		122-0884, 25		140-3519-01, 36		184-0023, 8	
104-2035, 10		122-0886, 25		146-0909, 18		185-2093, 13 , 24	
104-2036, 11		122-0893, 25 , 26		147-0882, 33		185-2094, 8	
104-2037, 11		122-0914, 26		147-0892, 30 , 31		185-2105, 20	

Numerical Index

<u>Part No.</u>	<u>Page</u>	<u>Part No.</u>	<u>Page</u>	<u>Part No.</u>	<u>Page</u>	<u>Part No.</u>	<u>Page</u>
185-2106, 30 , 31 , 40 , 41 , 45		185-5374, 32		185-5616, 32		185-5931, 11	
185-2188, 9		185-5375, 32		185-5617, 32		185-5947, 33	
185-2233, 8		185-5376, 32		185-5618, 32		185-5949, 33	
185-2234, 8		185-5377, 32		185-5619, 32		185-5962, 33	
185-2284, 16		185-5378, 32		185-5621, 32		185-5963, 33	
185-2338, 8		185-5379, 32		185-5727, 19		185-5979, 30 , 31	
185-2345, 28 , 29		185-5380, 32		185-5837, 8		185-5985, 28 , 29 , 32	
185-2350, 8		185-5381, 32		185-5840, 8		185-5990, 28 , 29	
185-2351, 16		185-5382, 32		185-5841, 8		185-6004, 40 , 41	
185-2352, 22		185-5383, 32		185-5842, 8		185-6016, 14	
185-2367, 9 , 41		185-5384, 32		185-5843, 8 , 20		185-6017, 14	
185-2384, 13		185-5385, 32		185-5844, 8		185-6018, 14	
185-2385, 28 , 29		185-5386, 32		185-5848, 22		185-6019, 14	
185-2388, 19 , 30 , 31		185-5387, 32		185-5849, 22		185-6022, 14	
185-2389, 30 , 39		185-5388, 32		185-5851, 22		185-6025, 14	
185-2390, 16 , 20		185-5389, 32		185-5861, 9		185-6026, 14	
185-2400, 12		185-5390, 32		185-5862, 9		185-6028, 14	
185-2401, 41		185-5391, 32		185-5865, 9		185-6029, 14	
185-2402, 35 , 40		185-5392, 32		185-5867, 9		185-6030, 14	
185-2403, 10		185-5393, 32		185-5868, 9		185-6039, 8	
185-2404, 10 , 39		185-5394, 32		185-5874, 20		185-6040, 8	
185-2412, 9		185-5395, 32		185-5877, 20		185-6046, 27	
185-2414, 9		185-5396, 32		185-5878, 20		185-6048, 9	
185-2561, 17		185-5397, 32		185-5879, 20		185-6072, 12	
185-2563, 9		185-5398, 32		185-5880, 20		185-6076, 11	
185-2565, 20 , 40 , 41		185-5399, 32		185-5893, 10		185-6093, 28 , 29	
185-2976, 27		185-5400, 32		185-5899, 10		185-6103, 13 , 35	
185-4255, 20		185-5401, 32		185-5900, 12		185-6107, 14	
185-5147, 15 , 17		185-5402, 32		185-5901, 12		185-6108, 14	
185-5337, 28 , 29 , 32		185-5403, 32		185-5905, 12 , 42		185-6121, 8	
185-5363, 32		185-5404, 32		185-5906, 12		185-6171, 15	
185-5364, 32		185-5405, 32		185-5915, 11		185-6392, 27	
185-5365, 32		185-5406, 32		185-5917, 11		185-6481, 20	
185-5366, 32		185-5445, 45		185-5918, 11		185-6711, 20	
185-5367, 32		185-5483, 8		185-5921, 11		185-6713, 20	
185-5368, 32		185-5492, 8		185-5922, 11		185-6722, 40	
185-5369, 32		185-5495, 27		185-5924, 11 , 12		185-6728, 27	
185-5370, 32		185-5529, 16		185-5925, 11		185-6759, 15 , 17 , 20	
185-5371, 32		185-5608, 28 , 29		185-5928, 11		185-6766, 10	
185-5372, 32		185-5612, 28 , 29		185-5929, 11		185-6771, 11	
185-5373, 32		185-5615, 28 , 29		185-5930, 11		185-6772, 33	

Numerical Index

<u>Part No.</u>	<u>Page</u>	<u>Part No.</u>	<u>Page</u>	<u>Part No.</u>	<u>Page</u>	<u>Part No.</u>	<u>Page</u>
185-6773,	33	205-0220,	55	323-1291,	60 , 61 , 62	403-5382-03,	50
185-6785,	45	205-0320-02,	37	323-1325,	63	403-5450-02,	37
185-6789,	14	211-0485-01,	55	323-1492,	59	403-5451-02,	25
185-6825,	32	212-1276-03,	55	323-1541,	59	403-5519-02,	50
185-6848,	45 , 46 , 47 , 48	212-1285-S0,	55	323-1542,	57	403-5520-02,	50
185-6953,	27	212-1286-S0,	55	323-1543,	57	403-5552-02,	50
185-6956,	27 , 33	212-1308-02,	51	323-1591,	57	403-6072-02,	50
185-6957,	9 , 14 , 20 , 39 , 40 , 41	214-0103,	55	323-1614-01,	57	403-6764-02,	26
185-6961,	20	220-4649-01,	55	323-1615,	57	405-5380-05,	52
185-6973,	11	220-4649-03,	55	323-1707,	63	405-5508-SO,	24
185-6981,	28 , 29	231-0347,	55	323-1708,	57 , 63	405-5895-01,	51
185-6987,	30 , 31	232-3296,	55	323-1710,	63	405-7773,	55
185-6988,	30 , 31	232-3755-02,	55	323-1711,	57	405-7774,	55
185-6989,	30 , 31	232-4145,	55	323-1712,	63	405-7808,	56
185-6991,	30 , 31	232-4229,	10	323-1719,	57 , 63	405-8238-02,	37
185-6996,	30	234-1020,	55	323-1773,	57	405-8249-02,	51
185-7003,	28 , 29	300-4942,	59	323-1819-01,	57	405-8250,	51
185-7004,	29	300-4943,	60	323-2166,	57	405-8252,	51
185-7006,	28 , 29 , 32	300-4944,	61	332-1356,	58	405-8284,	50
185-7008,	28 , 29 , 32	300-4947,	63	332-1554,	58	405-8285,	37
185-7013,	39	300-5027,	62	332-2921,	24	405-8294,	51
185-7031,	22	300-5961,	56	332-3408,	58	405-8352-02,	51
185-7069,	22	302-1641,	61 , 62	332-3531-03,	58	405-8489,	37
185-7120,	20	302-2002,	52 , 60 , 62	333-0707,	15	405-8491,	37
185-7134,	30 , 31	302-2084,	20	337-0090,	49	405-8499,	37
185-7166,	16 , 19	306-5438,	12	337-3739,	28 , 29	405-8500,	37
185-7221,	14	308-1019,	57	338-3475,	60	405-8519,	50
185-7298,	40	308-1038,	52	338-3490-01,	63	405-8721-02,	51
190-0753,	43	308-1062,	59 , 60 , 61 , 62	338-3490-02,	63	405-8722,	51
190-0754,	43	315-0899,	36	338-3509,	61	405-9147,	51
190-0759,	43	315-1650-02,	36	338-3573,	63	405-9148,	37
191-2229,	21	319-5199-03,	56	338-3637,	62	405-9149,	37
191-2377,	43	319-5200-03,	56	338-3812,	59	405-9150,	37
191-2378,	43	319-6988-01,	59	338-4384,	58	405-9540-02,	37
192-0451,	43	319-6988-02,	60	338-4461,	57	405-9578,	37
192-0452,	43	319-6989-03,	61	338-4498,	58	405-9821,	51
193-0318,	40 , 41	319-6993,	62	402-0680-03,	50	405-9822,	51
193-0351,	62	320-2441-02,	52	402-0728-01,	50	406-1071,	12
193-0352,	62	320-2441-03,	52	402-0728-02,	50	501-0804-01,	34
201-3549-03,	55	323-1199,	60 , 61 , 62	403-5356-02,	50	501-0848,	25
201-3549-04,	55	323-1200,	63	403-5359-02,	50	501-0884,	28 , 29

Numerical Index

<u>Part No.</u>	<u>Page</u>	<u>Part No.</u>	<u>Page</u>	<u>Part No.</u>	<u>Page</u>	<u>Part No.</u>	<u>Page</u>
501-0885,	28 , 29	505-2258,	30 , 31	512-0447,	39	800-0309-89,	55
501-0886,	29	505-2519,	8	515-0320,	11	800-2006,	55
502-0313,	34	506-0027,	16	516-0247,	21	800-2056,	55
502-0804,	25	506-0028,	15 , 17	517-0138-09,	50	800-2057,	46
502-1296-02,	34	507-0006,	11	517-0273,	34	800-2060,	43
502-1299,	34	507-0007,	12	517-0370,	20	800-2066,	37
502-1367-05,	40 , 41	507-0008,	12	517-0371,	23	800-2071,	43
502-1505,	25	508-0071,	50	517-0373,	8	800-2072,	43
502-1506,	25	508-1049-04,	55	517-0374,	19	800-2089,	55
502-1529,	38	508-1105,	57	518-0581,	51	800-2515,	55
503-0365,	36	508-1216,	12	518-0712,	33	800-3004,	24 , 58
503-0465,	36	509-0196,	55	518-0713,	33	800-3030,	50
503-0731,	30	509-0329,	38	518-0732,	11	800-3031,	24 , 49
503-1137,	38	509-0409,	18	520-1000-03,	55	800-3032,	21
503-1138,	38	509-0410,	20	520-1000-04,	55	800-3033,	25 , 26 , 46 , 47 , 50
503-1148,	36	509-0411,	27	520-2655,	39	800-6305,	15 , 17
503-1951-09,	34 , 38	509-0412,	20	520-2697,	45	800-6306,	15 , 17
503-1951-12,	34 , 38	509-0413,	20	526-0003,	57	800-6307,	16
503-1951-13,	34	509-0414,	13	526-0014,	50	800-6327,	14
503-1951-35,	38	509-0415,	20	526-0029,	55	800-6328,	40 , 41
503-1952-06,	34	509-0416,	10	526-0049,	61 , 62	800-6329,	10
503-1959,	38	509-0417,	8	526-0054,	58	800-6330,	13
503-2059,	38	509-0418,	19	526-0174,	50	800-6331,	40 , 41
503-2435,	36	509-0419,	39	526-0324,	50	800-6332,	40 , 41
503-2446,	36	509-0420,	55	526-0399-56,	55	800-6333,	30 , 31
503-2497,	36	509-0555,	16	526-0399-64,	21 , 25 , 26 , 46 , 47 , 50	800-6334,	15 , 17 , 20
503-2500,	38	510-0185,	55	526-0409,	61 , 62	800-6335,	14
503-2501,	38	510-0214,	33	526-0461,	43	800-6340,	27
503-2551,	13	510-0215,	39	526-2080,	55	800-6497-01,	51
503-2552,	40 , 41	511-0214,	43	526-2100,	55	800-6497-02,	51
503-2553,	40 , 41	511-0218,	43	526-2120,	43 , 49 , 50 , 58	800-6542,	27
503-2554,	38	511-0219,	44	526-2140,	49	800-6543,	20
503-2555,	38	512-0199,	43	541-1168,	11	800-6546,	20
503-2970,	26	512-0274,	44	541-1169,	11	800-6547,	27
503-2971,	26	512-0276,	42 , 43	543-0018-02,	64	808-0023,	62
503-3135,	41	512-0279,	43	718-1035,	24	812-0070,	58
505-0139,	25	512-0283-02,	43	725-1051,	47 , 48	815-0549,	52
505-0180,	38	512-0287-01,	43	740-1006,	37	815-0600,	21
505-2251,	30	512-0287-02,	43	740-1008,	21	815-0861,	50
505-2252,	40 , 41	512-0294,	44	800-0052,	43	815-0888,	36
505-2256,	20	512-0302,	44	800-0055,	50	815-0910,	59 , 60 , 61

Numerical Index

<u>Part No.</u>	<u>Page</u>	<u>Part No.</u>	<u>Page</u>	<u>Part No.</u>	<u>Page</u>	<u>Part No.</u>	<u>Page</u>
815-0943-02,	56	A029L892,	34				
815-0954-02,	25 , 26	A030D755,	34				
815-0954-03,	21 , 46 , 47 ,	A030T747,	34				
	48	A040G405,	57				
815-0954-05,	43	A040K673,	36				
815-1599,	20	A041A765,	38				
818-0247-01,	36	A041A768,	50				
821-2032,	50	A041A770,	50				
821-2033,	43	A041E766,	38				
821-2045,	50						
821-2061,	49						
821-2096-02,	34 , 37 , 38 ,						
	50 , 52 , 56						
821-2096-03,	37 , 50 , 58						
821-2096-06,	55						
821-2097-06,	36						
823-1002-01,	51						
823-1002-03,	26						
850-0030,	61 , 62						
850-2005,	55						
850-2008,	43 , 46 , 47 , 48						
850-2010,	55						
854-0028,	34						
856-0010,	49 , 58						
856-0013,	49						
860-2005,	57						
860-2032,	16						
860-2070,	18						
860-2136,	45						
862-0003,	55						
862-0015,	58						
868-0007,	34						
870-0257,	34						
870-0506,	36						
870-2054,	37 , 58						
870-2055,	25 , 46 , 47						
870-2056,	49 , 50						
870-2065-02,	44						
870-2065-03,	46						
871-0010,	61 , 62						
871-0025,	58						
A028T907,	38						

THIS PAGE IS INTENDED TO BE BLANK

power.cummins.com

Copyright © 2019 Cummins Inc. All rights reserved.

Cummins, Onan, and the "C" logo are registered trademarks of Cummins Inc. and its subsidiaries.

Other company, product, or service names may be trademarks or service marks of others.

Specifications are subject to change without notice.

